

FLUKE 900

SERVICE MANUAL

NOTE: This manual documents **FLUKE 900** instruments **S/N 4720000** and above.
It also documents any **FLUKE 900** with the **Simulation Option (900-001)** installed.

Print Date: September 1992
MN-0004
FLUKE P/N 889691

(c) Copyright 1992
All rights reserved

ZTEST Electronics Inc.
1305 Matheson Blvd.
Mississauga, Ontario
Canada L4W1R1

Table of Contents

1 Service Manual Introduction	1 - 1
1.1 Description of Operator, Service Manuals	1 - 1
1.2 Basic Operation of Keyboard and Display	1 - 1
2 Theory of Operation	2 - 1
2.1 General	2 - 1
2.2 Interface Buffer	2 - 2
2.3 Micro Board	2 - 3
2.4 High Speed Board	2 - 6
2.5 Test Clips	2 - 11
3 Selftest	3 - 1
3.1 Reading Selftest Results	3 - 1
3.1.1 General Selftest Results	3 - 2
3.1.2 Flag Results	3 - 3
3.1.3 Chip Size LED Error Codes	3 - 5
3.2 Running and Reading Individual Selftests	3 - 6
3.3 Individual Selftest Descriptions	3 - 6
TEST 0 SLFT_CLIP	3 - 6
TESTS 1,2 PULL0_MON, PULL1_MON	3 - 7
TESTS 3,4 PULL0_FLT, PULL1_FLT	3 - 7
TESTS 5,6 SYNC0_Hres_FLT, SYNC1_Hres_FLT	3 - 7
TESTS 7,8 SYNC0_Lres_FLT, SYNC1_Lres_FLT	3 - 7
TESTS 9,10 PINDIS0_FLT, PINDIS1_FLT	3 - 7
TESTS 11,12 SLFTST0_FLT, SLFTST1_FLT	3 - 7
TESTS 13,14 VccON_FLT, GndON_FLT	3 - 7
TEST 15 PULLPOS_FREQ	3 - 8
TESTS 16,17 TRIGQAL0_EQUAL, TRIGQAL1_EQUAL	3 - 8
TESTS 18,19 QAL0_EQUAL, QAL1_EQUAL	3 - 8
TESTS 20,21 TRIG0_EQUAL, TRIG1_EQUAL	3 - 8
TESTS 22,23 PULL0_TRIG_EQUAL, PULL1_TRIG_EQUAL	3 - 8
TEST 24 PULL0_TRIGQAL	3 - 8
TESTS 25,26 FM_STAT_NFLT, FM_STAT_FLT	3 - 9
TEST 27 FMASK_WB_TEST	3 - 9
TEST 28 FMASK_CAL	3 - 9
TESTS 29,31,33,35,37,39 FMxx_FLT	3 - 9
TESTS 30,32,34,36,38,40 FMxx_NFLT	3 - 9
TEST 41 ACT_DIS_CLR	3 - 9
TESTS 42,43 PULL0_ACT_TSTON, PULL1_ACT_TSTON	3 - 10
TESTS 44, 45 PULL0_ACT_ACTSTR, PULL1_ACT_ACTSTR	3 - 10
TESTS 46,47 FREQ_BIAS_SHORT, FREQ_BIAS_LONG	3 - 10
Interface Buffer shift register subtest	3 - 10
Frequency HW subtest	3 - 11
Threshold HW subtest	3 - 11
Reset HW subtest	3 - 11
Result bytes:	3 - 12
TEST 48 KEYBOARD_OPEN	3 - 14
TEST 49 TEST_CYCLE	3 - 14
TEST 50 UART_TEST	3 - 16
TEST 51 DGATE_TEST	3 - 17
TEST 52 PULL0_XTRIG	3 - 19

TEST 53 PULL1_XTRIG	3 - 20
TEST 54 PULL_XEVENT	3 - 21
TEST 55 SHAD_INIT	3 - 21
TEST E60 WALK_SIZELEDS	3 - 22
TEST E61 TEST_MEMORY	3 - 22
TEST E62 WALK_MONLEDS	3 - 23
TEST E63 UPDATE_VCC_LIM	3 - 23
TEST E64 SHAD_ADDR	3 - 24
TEST E70 KEY_CLOSURE	3 - 24
TEST E71 DISP_RAM	3 - 24
TEST E74 DISP_CHAR_SET	3 - 25
TEST E75 CART_SLFT	3 - 25
TEST E76 TEST_C_ENG	3 - 25
TEST E77 ACT_CROSS	3 - 25
TEST E78 TRG_CROSS	3 - 26
TEST E79 FRQ_CROSS	3 - 26
TEST E80 FLT_CROSS	3 - 26
3.4 System Error Codes	3 - 27
4 Troubleshooting	4 - 1
4.1 Test Result Interpretation	4 - 1
4.2 Selftest / Circuit Block Reference Table	4 - 2
4.3 Selftest Circuit Block Diagrams	4 - 4
4.4 Failure Examples	4 - 23
4.4.1 IB Reversal	4 - 23
4.4.2 Static-blown HSB	4 - 24
4.4.3 Missing -5 V	4 - 25
5 Maintenance	5 - 1
5.1 Performing a Complete System Checkout	5 - 1
5.2 Performing Adjustments	5 - 2
5.2.1 Adjustment to Vcc	5 - 2
5.2.2 Adjustment to Display Contrast	5 - 2
5.2.3 Changing System Firmware	5 - 2
5.2.4 Fuses and 110/220 V Conversion	5 - 3
5.3 Disassembly and Assembly Instructions	5 - 3
5.3.1 Microprocessor Board	5 - 3
5.3.2 Keyboard	5 - 4
5.3.3 Speaker	5 - 5
5.3.4 Display Controller	5 - 5
5.3.5 Display	5 - 5
5.3.6 High Speed Board	5 - 6
5.3.7 Power Supply	5 - 6
5.3.7.1 Fan	5 - 6
5.3.8 Interface Buffer Board	5 - 7
5.4 Calibration Procedures	5 - 7
5.4.1 Interface Buffer Calibration	5 - 7
5.4.2 High Speed Board Calibration	5 - 7
5.4.2.1 Calibration Data Format	5 - 7
5.4.2.2 Calibration Standards	5 - 8
5.4.2.3 HSB Component Placement	5 - 8
5.4.2.4 The Offset Shift (OS) Definition	5 - 9
5.4.2.4.1 Example 1 (for negative offsets)	5 - 9

5.4.2.4.2 Example 2 (for positive offsets)	5 - 10
5.4.2.5 The Correcting Component Definition	5 - 10
5.4.2.6 Calibration Procedure	5 - 12
5.4.2.6.1 Offsets Block	5 - 12
5.4.2.6.2 Limits Block	5 - 12
5.4.2.6.3 Selftest buffer and 86 gate related condition	5 - 13
5.4.2.6.4 LM360 comparator related condition	5 - 16
5.5 Board Revisions, Upgrades and ECOs	5 - 16
5.5.1 Modification to MB for 64k Cartridges	5 - 16
5.5.2 900 System Firmware	5 - 17
6 Schematics	6 - 1
6.1 INTERFACE BUFFER - IB	6 - 1
6.2 MICRO BOARD - MB rev.2 (M2)	6 - 3
6.3 HIGH SPEED BOARD - HS rev.2/3 (H3)	6 - 5
7 Fluke 900 Parts Lists	7 - 1
7.1 900 Final Assembly	7 - 2
7.2 A1 Interface Buffer IB	7 - 4
7.3 A2 Micro Board M2	7 - 6
7.4 A3 High Speed H3	7 - 8
7.5 A4 Power Supply Module PA	7 - 11
7.6 900-001 Simulation Option	7 - 12

1 Service Manual Introduction

1.1 Description of Operator, Service Manuals

Documentation for the FLUKE 900 Dynamic Troubleshooter includes the Service Manual, Operator Manual and Training Manual. For the purposes of maintenance and repair relevant sections of the Operator Manual are:

- Section 1.2 on Specifications
- Section 1.4 on Shipping, Unpacking, and Connection
- Section 1.5 on Keyboard Operation
- Section 1.6 on Option Setting

It is recommended that the reader become familiar with this information and perhaps the section on Technical Principles from the Operator Manual before undertaking service repair of the unit.

While some tasks in the Maintenance section of this Service Manual are relatively simple, calibration and most troubleshooting require a thorough understanding of the information presented in sections 1, 2 and 3 of this Service Manual.

1.2 Basic Operation of Keyboard and Display

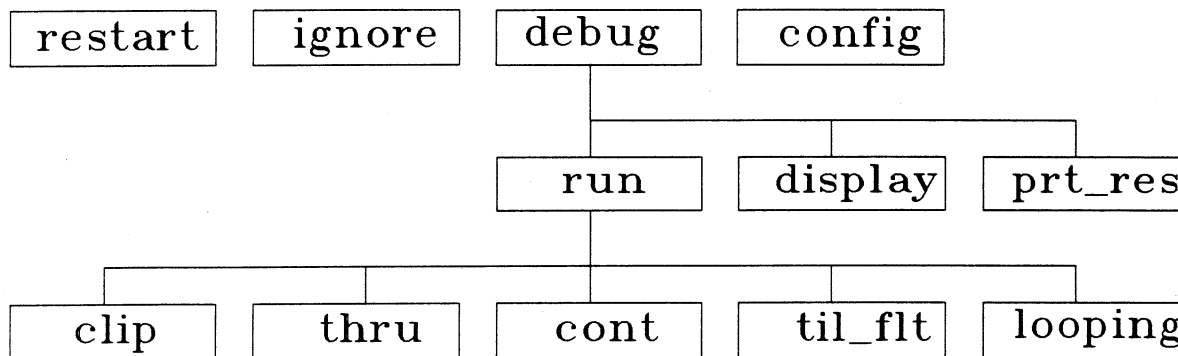
The FLUKE 900 display has 4 major areas:

- Information area in the upper portion of the screen
- Status line reverse highlighted in the middle of the screen
- Command line for entering instructions below the status line
- Function key labels reverse highlighted at the bottom of screen

There are 5 Function Key labels and they are represented in this manual as: **F1**(label). Permanently labelled keys are represented as: **ENTER**. Operational modes progress down a tree of levels and sub-levels with the Function Keys. **ESC**, on the left of the Function Keys, moves operation up one level of the menu tree. **ETC** brings up more labels on the same level of the tree.

Data that is typed in appears on the command line, but is only acted upon after **ENTER** is pressed. **CE** performs a backspace function on the command line; **SHIFT CE** erases the last word; **CNTR CE** erases the whole line.

The Debug mode is used for observing selftest results, running selftests and printing results. It may be entered, after a successful selftest, by pressing **F4**(system) **ETC F1**(debug) from the main screen of the initial level. Debug is accessible directly after a poweron selftest fails. The menu tree for the Function Keys after a fail appears as:



F1(restart) will re-execute the poweron selftest.

F2(ignore) will bring up the main screen directly. If any of the failed selftests involve actual testing circuitry (eg. FMxx), the operator will not be permitted to actually run a test cycle. File manipulation, RD Test and System setting changes are possible, however.

Debug has three main keys: **F1**(run), **F2**(display), **F3**(prt_res). The last one means "print results" and sends a formatted listing of all test results from the last test(s) executed to the serial RS232 port. "display" brings to the screen, the characteristic 4 byte individual result of the test whose number was entered on the command line. This test must first have been run, either explicitly or during the powerup.

The key labels under "run" are words that can be used to compose a command line instruction. Some typical instructions are:

Run_test clip
Run_test 0

These two equivalent instructions run the clip continuity test. A clip must be inserted in the Input Buffer and clipped onto the Dummy Chip Module which must be plugged into the ZIF socket. Results are shown on the screen.

Run_test 40

Test 40 is executed and result bytes displayed in the case of a failure.

Run_test 1 thru 40

Tests 1 through 40 are executed successively.

Run_test continuous

The series of poweron tests are executed repeatedly with the number of passed and failed cycles displayed on the screen. **ESC** will terminate it upon completion of the currently executing test.. This is a useful burnin procedure.

Run_test 46 continuous
until_fault

Test 46 is executed repeatedly while displaying the number of passed cycles until the point at which a failure occurs.

Run_test 1 looping

Test 1 will execute repeatedly to facilitate signal tracing with an oscilloscope.

At any point in the menu tree or any operational mode of the tester, a hard or soft reset may be executed. Pressing **SHIFT** and **ESC** simultaneously causes a soft reset that returns the display to the initial power-on screen. This action does not erase any files that are resident in volatile system RAM. For service purposes a soft reset during selftest is a convenient way to truncate the selftest and bring up the main screen immediately. Pressing **CNTR** and **ESC** simultaneously causes a hard reset that clears memory and restarts selftest.

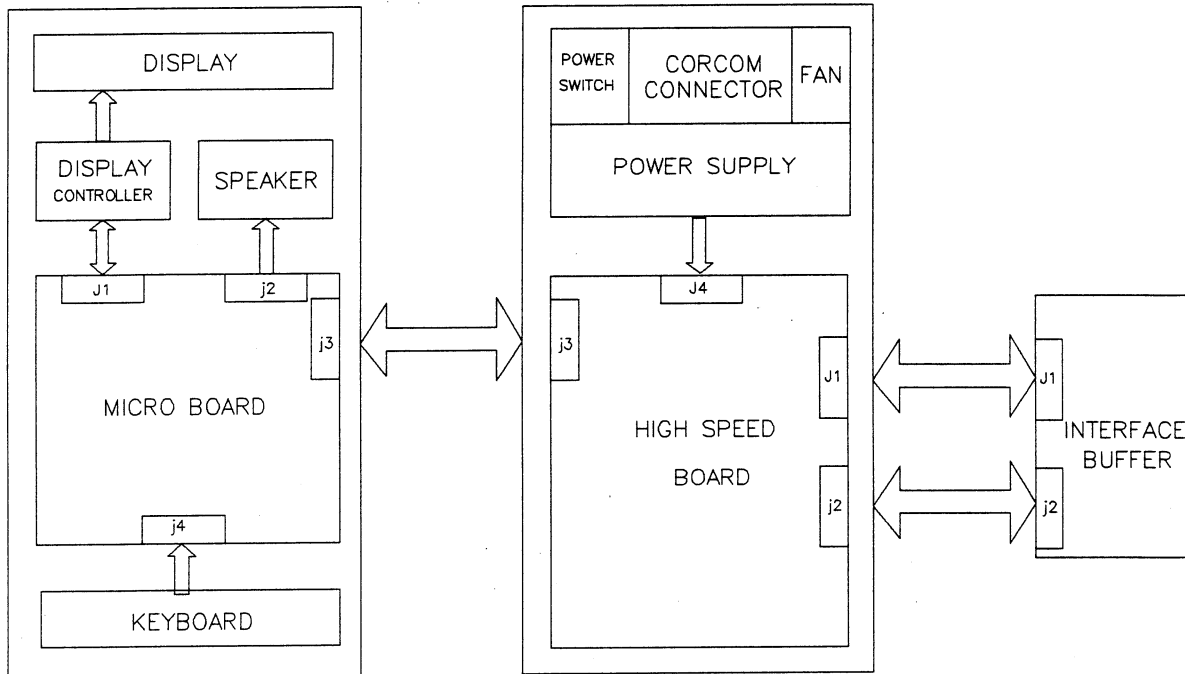
There is a special keyboard mode used mainly for calibration called the "engineering menu". It may be entered from the main poweron screen by simultaneously pressing **CNTR** and an unlabeled key found between **NEXT** and **TEST**. Its use will be described in the section on calibration.

This page intentionally left blank.

2 Theory of Operation

2.1 General

Major functional blocks of the tester correspond, in general, to physical modules. Shown below is a diagram of the modules and their interconnections.



The Interface Buffer (IB) acquires and conditions signals from the board under test. It accepts 28 signal channels from an interchangeable clip and, by means of a single threshold setting, translates them into ECL digital data for transmission to the High Speed Board.

The Micro Board (MB) controls the operating system, user interface and test parameter storage. The Micro Board has a Z80 microprocessor running from about 320K of paged memory space. The software is mainly comprised of interrupt routines that service four 8536 CIO devices. Two CIOs are on the MB, the "Keyboard" and "Map" devices, while two CIOs are on the HSB, the "Time" and "Frequency" devices.

The Micro Board sets up the High Speed Board (H3) with the proper configuration for a test before letting it run at high speed without intervention. The setup of the test proceeds by loading a series of shift registers with data appropriate for the test to be performed. Four 8 bit registers are cascaded to make a set of 32 bits in length. Six such sets are located on the H3, two on the IB.

During the test phase, signals received by the H3 are routed immediately to a comparison circuit to be matched against one of two possible signals. In the case of a signal extracted from a DUT input pin, the comparison is made with itself (no failure should appear). In the case of a DUT output pin signal, the comparison is made with the identical RD pin signal. The RD pins are continuously monitored by a resistive load to determine whether they are input or output and thus how to route the equivalent DUT signals. At each signal transition, the DUT/RD discrepancy is timed to see if it exceeds a set FMASK value. If so, and if not overridden by a Gate or Trigger setting, the faults are latched and displayed on the monitor LEDs and LCD Screen.

2.2 Interface Buffer

Pages 3,4,5,6 of the IB schematics show the signal path for each of the 28 channels that can come from a DUT. 10K resistors connect each channel to an output bit on the cascaded shift registers shown on page 1. In actual usage, these are resistors pulled up to 5 volts by default to resolve floating unconnected inputs on a UUT which could otherwise confuse test results. In addition, the check for a low condition on a pin is made while attempting to pull it high; the high check is made with the 10K resistor pulled down to ground.

After the impedance matching components and protection diodes, each channel feeds a comparator referenced to a bias voltage. The outputs are differential ECL levels for relative noise-free transmission to the High Speed Board.

The shift registers shown on page 2 are used to control the bias setting for threshold, the Reset line setting and external frequency multiplexing. Eight bits drive a DAC which resolves a 0 to 5 volt range into 100 mV increments. Five bits control the polarity, voltage and status of the Reset driver (Page 1). Three bits route one of several lines through an analog multiplexer to a voltage-controlled oscillator (U25). The measurement of the VCO frequency on the HSB is used to determine clip size (from a characteristic voltage divider in each clip), threshold verification and VCC accuracy.

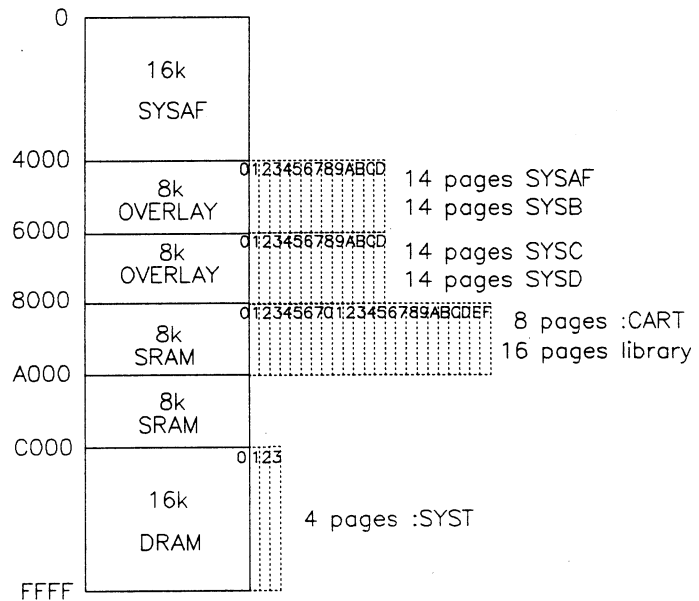
2.3 Micro Board

The Micro Board architecture is shown in the accompanying diagram. Note that, for simplification, bus buffers are not shown and all chip select signals are shown as CS to a device instead of the actual signal (eg. CS for MAP CIO is actually MAPSEL). The Z80 CPU runs at 6 MHz and operates with the Wait State Generator PAL (U69) to give the delayed control signals WRD and RDD. The CPU signals WR and RD are thus modified for the timing requirements of the Display Controller and the 8536 CIO chips. The four CIO devices are complex counter/timer and parallel I/O ports. Two are located on the MB, two on the HSB, and they interrupt the CPU for servicing of their particular function.

The MAP CIO sets up the memory map and paging scheme through PALs U58, U59, U72, U73. Port A is configured as output for the PAL chip selects. Port B is output for the EPROM chip selects. Port C is output for the RAM chip selects. The internal timer on this CIO is used for general timeout purposes in such functions as cartridge operations and library loading.

The Decode Logic consists of the PALs referred to previously and it generates chip selects for all peripheral devices and extends the 64K address range of the Z80 as shown in the memory map diagram.

The first 16K is the power on boot ROM space (ROM SYSAF is part of it). The next 8K of CPU address space is used to access 14 pages of 8K in size residing on the SYSAF and B ROMs. The next 8K starting at address 6000 accesses 14 pages residing on SYSC and D ROMs. The range 8000 to C000 is 16K of static RAM. The first RAM chip has a battery and retains the System Mode option parameters. It also has 8 pages of cartridge memory and 16 pages of library ROM. The final 16 K is overlaid with 4 pages comprising the DRAM and used for internal functions and 48K of ":SYST" sequences.

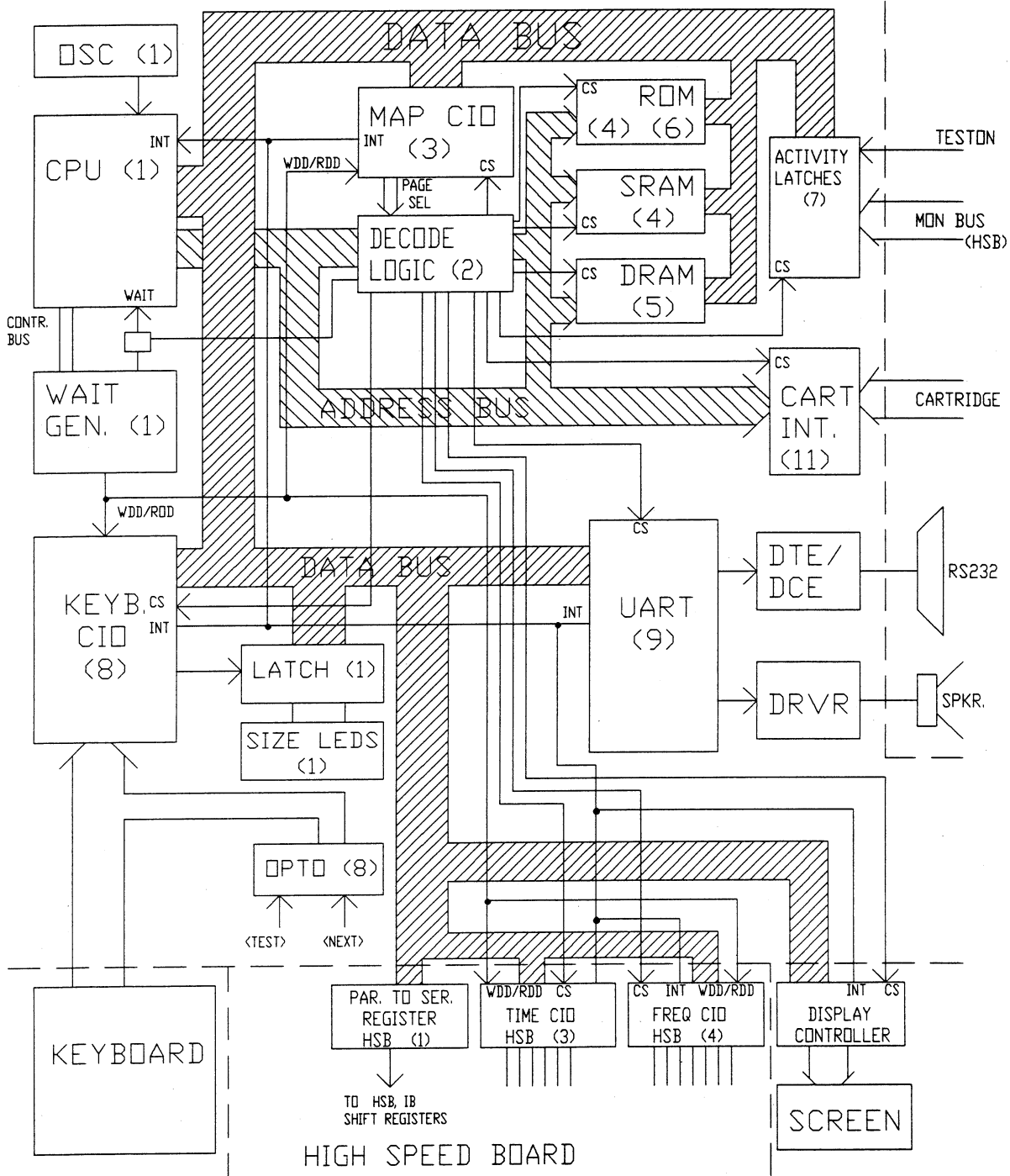


The Keyboard CIO outputs levels on port A which are read back on port B when a key is depressed. Three internal timers designated "watchdog", "key_time" and "key" take care of

debouncing and repeating key actions. The **TEST** and **NEXT** keys found on the Interface Buffer are routed through the HSB and optocoupled on the MB to connect to the keyboard CIO. The chip size LEDs are driven by a latch controlled by this CIO.

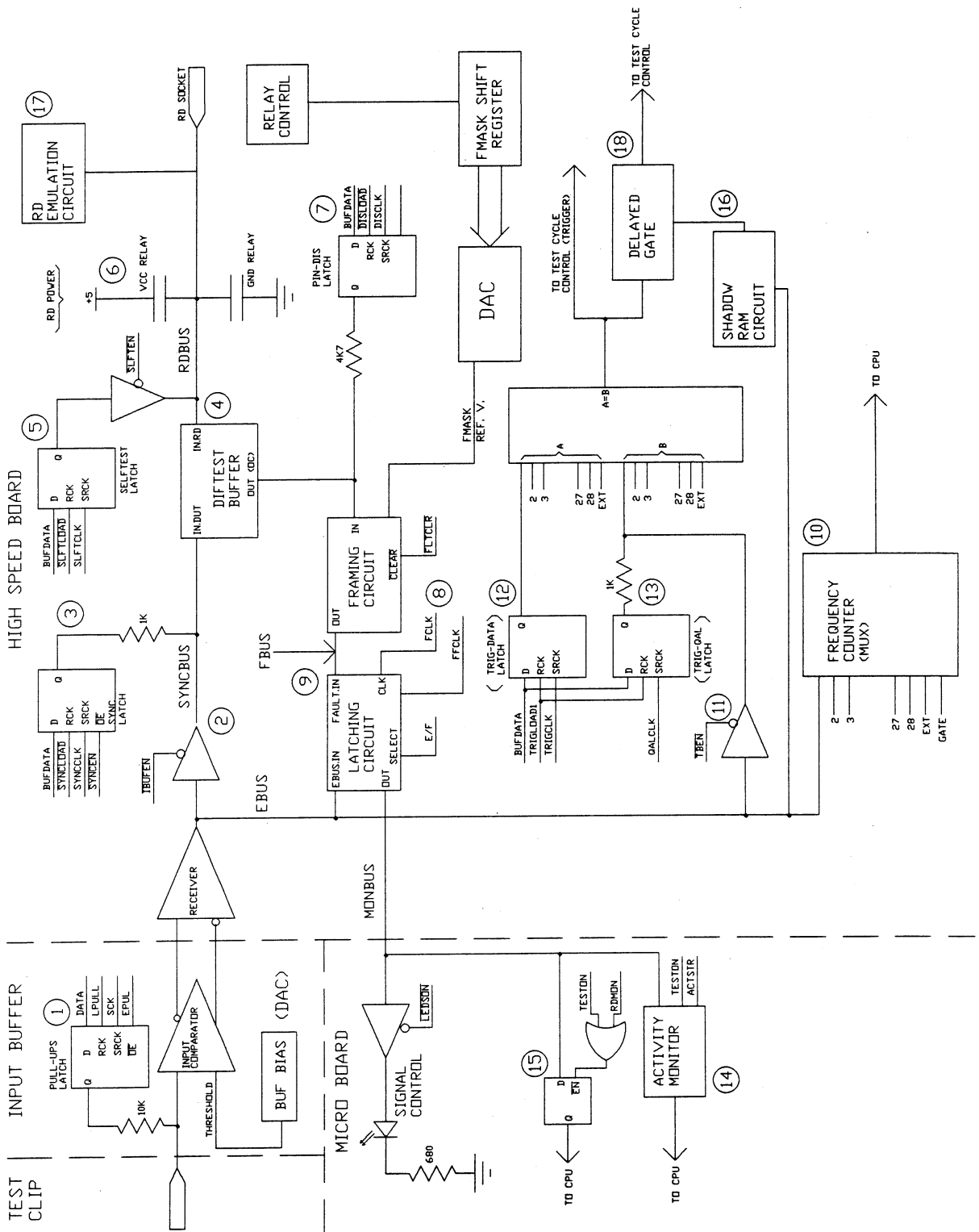
The dual UART located at U11 is used for two functions. First, the serial RS232 interface is connected through a DTE/DCE selectable routing circuit so it can interface to various computers and printers. Second, various standard frequencies are generated to drive a speaker providing audible beep tones. The socket at U62 contains the battery and circuit for the real time clock function.

MICRO BOARD ARCHITECTURE



2.4 High Speed Board

The accompanying diagram shows one channel routing a signal from the test clip through the Interface Buffer to the High Speed Board (H3) where it is processed by Dynamic Reference Comparison. The Micro Board then receives indicators from the H3 to display a test result. There are 28 such channels in parallel. The circuit elements that are depicted as latches in the diagram are implemented with shift registers that are first serial loaded, then clocked to a parallel output latch. The diagram's latches are single bits of a 28 bit shift register comprised of four cascaded 8 bit 74595s.



The busses shown are as follows:

EBUS

External bus represents DUT signals after conversion to TTL levels using a single threshold in the IB. EBUS is labelled on pages 2, 4, 6, 8, 9, 10, 11 of the H3 schematics.

RDBUS

Reference device bus carries EBUS input pin signals to the RD socket and RD output pin signals to the DIFTEST circuit. RDBUS is labelled on pages 7, 8, 9, 10, 11 of the H3 schematics.

FBUS

Fault bus indicates on which pins the RDBUS and EBUS were different for longer than the FMASK value. The FBUS consists of the op amp output signals labelled Fxx on pages 8, 9, 10, 11 of the H3 schematics.

SYNCBUS

Synchronizing bus is either the EBUS or a pattern from the device library, depending on whether the Sync Vectors technique is employed to synchronize RD and DUT. The SYNCBUS consists of the 74244 output signals found on the extreme left side of pages 8, 9, 10, 11 of the H3 schematics.

MONBUS

Monitor bus is either the same as EBUS or FBUS, depending on which is selected for display on the monitor LEDs. The Mon bus may be found at connector J3 on the right side of pages 8, 9, 10, 11, of the H3 schematics and on page 13 of the MB schematics.

The 18 circuit blocks shown in the diagram on the previous page are the same ones listed across the top of the Selftest/Circuit Block Reference Table (Section 4.2). Fifteen of the blocks described below are found on the H3 Board.

1. **Pullups Latch**
On the Interface Buffer, signals from the test clips are pulled up to VCC or down to Gnd through a 10K resistor from the output of this shift register latch. It is found on page 1 of the IB schematic, U1, U2, U3, U4. The register at U24 of the IB drives a DAC which sets the threshold.
2. **Inbuf**
These buffers found on pages 8, 9, 10, 11, of the H3 schematics (U186, U140, U95, U42), feed the EBUS through to the SYNCBUS. They are tristated when the Sync Latch is driving.
3. **Sync Latch**
Synchronizing patterns from the library data are shifted into the registers shown on pages 8, 9, 10, 11, (U182, U136, U91, U45) and then latched to the output as a test vector. The stimulus for the RDTest function is provided in the same way.

4. **Diftest Buffers**
This circuit uses one of two possible resistor values (Hi or Lo) to determine whether the RDBUS can drive and therefore whether the pin is an output. The final output indicates the discrepancy between RDBUS and EBUS/SYNCBUS. It may be found at the outputs of the exclusive OR gates on pages 8, 9, 10, 11.
5. **Self Test Latch**
The shift register latch used to inject patterns onto the RDBUS during power-on verification in earlier revision boards is incorporated into the Logic Cell Array at U105, near the ZIF socket of the H3 Board. This is shown as circuit block 17 on the block diagram. If a RD is inserted during the power-on test an apparent failure will result.
6. **RD Supply Relays**
Certain ZIF socket pins are connected to VCC or Gnd by closure of the relays shown on page 7. The shift registers U155 and U102 control their selection.
7. **Pin Dis Latch**
These shift register latches can override the fault indication output from the Diftest circuit to ignore a fault on a pin. They are shown on pages 8, 9, 10, 11, as U180, U134, U89, U40.
8. **FFCLK Line**
The CPU can simulate a fault by asserting this line which is ORed with the pin fault lines to produce FLTS, the master fault indicator (page 11, A-10). Shift register U67 (page 3) provides data to a DAC which provides the FMASK reference voltage used in the framing circuit. The charging of precision capacitors to this voltage establishes an FMASK value. Note that the 74ALS09s driving the capacitors are specially prescreened to be uniform.
9. **Mon Mux**
The latches at U198, U153, U112, U64 hold the individual pin faults. The PALs driving them are also latches which accumulate faults for 40 ns after the first line fails but no further. In this way, the results are frozen in a window around the first fail for later reading by the CPU over the Mon Bus. When no faults are present, the signal M/F selects U164, U122, U76, U43 (pages 8, 9, 10, 11) to route the EBUS onto the MONBUS.
10. **Freq Circuit**
The 8536 CIO at U27 (page 4) controls the multiplexing and measurement of signal frequency among the 29 channels (28 pins plus 1 external). Port A is configured as output and used to drive the muxes at U55, U66, U124, U141. Port B drives the FREQ PAL except for PB5 which is an input flagging the occurrence of Gate. Port C is an input to read the frequency count.
11. **Trig Buf**
These buffers U191, U154, U98, U81 on page 2 enable the EBUS to the trigger comparator when TBEN signal is active.

12. **Trig Data Latch**
The shift register latches U166, U189, U100, U78 are loaded with data indicating 1s and 0s of the Trigger word. The first word is serial shifted and latched followed by the second word which is not latched until the occurrence of the first.
13. **Trig Qual Latch**
The shift register latches at U168, U188, U96, U56 are loaded with data indicating which pins have a 1 or 0 and which have "don't care" conditions. Two successive words are loaded as in the Trig Data case.
14. **Activity Circuit**
This circuit on page 7 of the Micro Board schematics operates by latching the state of all pins at the start of test and generating an exclusive OR pulse if the state ever changes. In this way, the PALs U32, U21, U16, U22 are alerted of active pins.
15. **Mon Bus Readback**
The Mon Bus which comes from the High Speed Board to the Micro Board via the connector J3 is shown on page 13 of the MB schematics. The latches and PALs on page 7 use the Mon Bus to hold the state of all pins at the end of test (for the EoT test result). The state of pins at the start of test is also latched here for the purpose of checking H or L conditions on DUT pins.
- 16, 18. **Shadow Ram and Delayed Gate Circuit**
This circuit is implemented in the Logic Cell Array at U123 (page 6) and associated PALs. Both of these functions affect the gating of comparison. Shadow RAM inhibits comparison during reading of an uninitialized DUT memory cell. Delayed gate inhibits the normal gate signal from going true for a fixed time interval after its pin conditions are satisfied.
17. **RD Emulation Circuit**
This Logic Cell Array, located at U105 (page 12), simulates certain Reference Devices instead of using an RD in the socket. If an H3 Board does not have the Simulation Option installed, U105 is still present to perform selftest functions.

Test cycle control is applied to all 28 channels together and is found on page 3 of the H3 schematics. The Time CIO at U26 is configured so PA0, 1,2 enable the Trigger flip flops and GATE PAL. PA3 is an output for enabling comparison during selftest. PA4 is an input that detects whether gate occurred. PA5 is an input indicating a short in the RD socket. PA6, 7 are inputs that detect whether trigger word 1 and 2 occurred.

Port B controls the Test Cycle PAL; PB1 is an input which stops test after a fault has been captured. PB2, 3, 4, 5 are inputs from a counter which acts as a prescaler for the time-to-fault interval. An internal CIO timer converts it to a value in the proper range. PB6 is an output that clears the fault under CPU control, while PB7 is an input indicating a fault is present. Port C is configured as an output and it selects which shift register will receive the data stream from the register U36 on page 1 of the H3 schematics.

2.5 Test Clips

The standard Test Clips have no active components, but the ribbon cable is terminated at both ends with a series 300 ohm resistor for impedance matching. There are 10 Kohm pullup resistors in the Interface Buffer which are applied to the DUT through the 600 ohms of the Test Clip.

The High Impedence Test Clip has an active buffer at the clip head which presents 500 Kohm impedance to the DUT. The clip head is powered from the VCC pin of the DUT.

This page intentionally left blank.

3 Selftest

3.1 Reading Selftest Results

Immediately after poweron, the tester executes a series of selftests that take about one minute. The selftests may also be initiated at any time by simultaneously pressing **CNTR** and **ESC**. The tests are numbered 0 to 55 and all but a few are run automatically. These few plus a number of "extended tests" denoted by Exx (eg. E60), can be run by manually keying them in when analyzing a problem. All the tests may be run individually in this way to produce "individual test results".

When a failure is encountered during poweron selftest, two rows of digits display "general results" and sometimes a third and fourth row appear. Rows 1 and 2 indicate the failing test numbers; rows 3 and 4 indicate fault flags that are tied to memory and shift registers. Flag failures indicate major functional problems and general test results indicate which tests are failing. "Individual test results" are more detailed displays of the failing tests and they indicate which channels (lines) are faulty.

In cases where a failure is severe and the LCD screen may not function, the LEDs around the ZIF socket may indicate the problem.

Hardware and software problems occasionally result in system crashes that present a message on the command line. One cause of such a crash is a corrupted simulation library file. A summary of these messages appears in Section 3.4.

3.1.1 General Selftest Results

The general results on the first two lines are clustered in groups of five as shown in the example below. The test numbers are shown above and below the digits. 0 indicates Pass, 1 indicates Fail and X indicates that a test result is not available.

0-4	5-9	10-14	15-19	20-24	25-29
X0000	00000	11111	00000	00000	0XX11
00000	01000	00011	XXX11	11100	XXXXX
30-34	35-39	40-44	45-49	50-54	55-59

The cross reference of test numbers to test names is listed below:

0	SLFT_CLIP	29	FM40_FLT
1	PULL0_MON	30	FM40_NFLT
2	PULL1_MON	31	FM80_FLT
3	PULL0_FLT	32	FM80_NFLT
4	PULL1_FLT	33	FM120_FLT
5	SYNC0_Hres_FLT	34	FM120_NFLT
6	SYNC1_Hres_FLT	35	FM160_FLT
7	SYNC0_Lres_FLT	36	FM160_NFLT
8	SYNC1_Lres_FLT	37	FM200_FLT
9	PINDIS0_FLT	38	FM200_NFLT
10	PINDIS1_FLT	39	FM240_FLT
11	SLFTST0_FLT	40	FM240_NFLT
12	SLFTST1_FLT	41	ACT_DIS_CLR
13	VccON_FLT	42	PULL0_ACT_TSTON
14	GndON_FLT	43	PULL1_ACT_TSTON
15	PULLPOS_FREQ	44	PULL0_ACT_ACTSTR
16	TRIGQAL0_EQUAL	45	PULL1_ACT_ACTSTR
17	TRIGQAL1_EQUAL	46	FREQ_BIAS_SHORT
18	QAL0_EQUAL	47	FREQ_BIAS_LONG
19	QAL1_EQUAL	48	KEYBOARD_OPEN
20	TRIG0_EQUAL	49	TEST_CYCLE
21	TRIG1_EQUAL	50	UART_TEST
22	PULL0_TRIG_EQUAL	51	DGATE_TEST
23	PULL1_TRIG_EQUAL	52	PULL0_XTRIG
24	PULL0_TRIGQAL	53	PULL1_XTRIG
25	FM_STAT_NFLT	54	PULL_XEVENT
26	FM_STAT_FLT	55	SHAD_INIT
27	FMASK_WB_TEST		
28	FMASK_CAL		

Tests 0, 47 and 50 are not automatically run during the poweron selftest, but can be run by themselves explicitly. This is also the case for a group of tests known as "engineering" or "extended" tests which are designated Exx as follows:

- E60 WALK_SIZELEDS
- E61 TEST_MEMORY
- E62 WALK_MONLEDS
- E63 UPDATE_VCC_LIM
- E64 SHAD_ADDR
- E70 KEY_CLOSURE
- E71 DISP_RAM
- E74 DISP_CHAR_SET
- E75 CART_SLFT
- E76 TEST_C_ENG
- E77 ACT_CROSS
- E78 TRG_CROSS
- E79 FRQ_CROSS
- E80 FLT_CROSS

3.1.2 Flag Results

Flags may appear on lines 3 and 4 of the general results screen. A 0 means "OK" and a 1 means "fault". At the present time, only the first row is used.

BYTE0	BYTE1	BYTE2	BYTE3
00000000	00000000	00000000	00000000
00000000	00000000	00000000	00000000
BIT: 76543210			

BYTE0: Indicates DRAM chip which failed memory test

- B7: U86
- B6: U82
- B5: U87
- B4: U83
- B3: U88
- B2: U84
- B1: U89
- B0: U85

BYTE1: Indicates shift register bank which failed

- B7: INTERFACE BUFFER (IB U1,U2,U3,U4)
- B6: DELAYED GATE
- B5: SELFTEST (HSB U38,U76,U115,U150)
- B4: FMASK (HSB U72)
- B3: TRIGGER QUALIFIER (HSB U57,U87,U142,U162)
- B2: TRIGGER DATA (HSB U66,U91,U140,U163)
- B1: PIN DISABLE (HSB U41,U80,U119,U154)
- B0: SYNC (HSB U46,U82,U121,U156)

BYTE2: General

- B7: NVRAM bad
- B6: NVRAM checksum error, rewritten with default data
- B5: Not used
- B4: Not used
- B3: ROM bad (U77)
- B2: ROM bad (U76)
- B1: ROM bad (U75)
- B0: ROM bad (U74)

BYTE3: General

- B7,6,5,4: Not used
- B3: FMASK calibration error
- B2: Threshold calibration error
- B1: FLTS line not readable
- B0: Threshold setting error

3.1.3 Chip Size LED Error Codes

If selftest fails, on rare occasions, the chip size LEDs may light to indicate an error. In the list below, the 8 LEDs are shown with a 0 for unlighted and a 1 for lighted.

00000001: KEYBOARD CIO PortA. CPU cannot communicate.
00000010: KEYBOARD CIO PortB
00000011: TIME CIO PortA
00000100: TIME CIO PortB
00000101: FREQ CIO PortA
00000110: FREQ CIO PortB
00000111: Display not ready
00001000: ROM checksum error
00001001: SRAM error
00001010: Stack underflow
00001011: Unimplemented interrupt occurred
00001100: Invalid interrupt vector
00001101: Not used
00001110: Incorrect peripheral serviced
00001111: UART transmit error
00010000: UART other errors (special receive conditions)
00010001: UART parity error
00010010: DRAM error
00010011: Overlay error
00010100: Not used
00010101: MAP CIO PortA
00010110: MAP CIO PortB
00010111: Display memory error

3.2 Running and Reading Individual Selftests

The individual selftest results indicate which specific lines or channels are failing. A full printout of all failing individual results may be printed out as explained in Section 1.2. Alternatively, a single individual result may be viewed on the display by pressing the following keys after the general poweron selftest fails: **F3**(debug) **F2**(display) "test #" **ENTER**. The individual result then appears as four bytes with a 1 indicating a problem.

```

          BYTE0      BYTE1      BYTE2      BYTE3
          |          |          |          |
          00000000  00000000  00000000  00000000
BIT: 76543210  76543210  76543210  76543210

```

<u>BYTE0</u>	<u>BYTE1</u>	<u>BYTE2</u>	<u>BYTE3</u>
b7: X	b7: PIN 3	b7: PIN 7	b7: PIN 11
b6: X	b6: PIN 26	b6: PIN 22	b6: PIN 18
b5: X	b5: PIN 4	b5: PIN 8	b5: PIN 12
b4: EXT LEAD	b4: PIN 25	b4: PIN 21	b4: PIN 17
b3: PIN 1	b3: PIN 5	b3: PIN 9	b3: PIN 13
b2: PIN 28	b2: PIN 24	b2: PIN 20	b2: PIN 16
b1: PIN 2	b1: PIN 6	b1: PIN 10	b1: PIN 14
b0: PIN 27	b0: PIN 23	b0: PIN 19	b0: PIN 15

Refer to the individual descriptions of Section 3.3 for any bit assignments that may differ from those generally used above. In particular, bits 5,6,7 of BYTE 0, which are not used for most tests, may have a meaning which is noted for a specific test.

3.3 Individual Selftest Descriptions

TEST 0 SLFT_CLIP

The SLFT_CLIP routine is used for verifying test clips. The test clip in question is inserted into the Interface Buffer and the other end is inserted into the ZIF RD socket via the Test Clip Verification Module. When the test is running, the size of the current test clip is displayed. The failure information is displayed as follows (Only special bits are shown, all others refer to regular pin number):

```

BYTE 0 -   B7 -   Not used
           B6 -   Not used
           B5 -   Clip size code invalid
           B4 -   Frequency reading invalid

```

**TESTS 1,2
PULL0_MON, PULL1_MON**

These tests supply a walking 0 or 1 across all lines from the pull-ups latch, through the input buffer, to the MONBUS where the levels are read by the CPU.

**TESTS 3,4
PULL0_FLT, PULL1_FLT**

These tests supply a walking 0 or 1 across all lines from the pull-ups latch, through the input buffer, through the fault circuitry to the MONBUS where the levels are read by the CPU.

**TESTS 5,6
SYNC0_Hres_FLT, SYNC1_Hres_FLT**

These tests supply a walking 0 or 1 across all lines from the sync latch, through the HI resistors, through the fault circuitry to the MONBUS where the levels are read by the CPU.

**TESTS 7,8
SYNC0_Lres_FLT, SYNC1_Lres_FLT**

These tests supply a walking 0 or 1 across all lines from the sync latch, through the LO resistors, through the fault circuitry to the MONBUS where the levels are read by the CPU.

**TESTS 9,10
PINDIS0_FLT, PINDIS1_FLT**

These tests supply a walking 0 or 1 across all lines from the pin disabling latch, through the fault circuitry to the MONBUS where the levels are read by the CPU.

**TESTS 11,12
SLFTST0_FLT, SLFTST1_FLT**

These tests supply a walking 0 or 1 across all lines from the selftest latch, through the fault circuitry to the MONBUS where the levels are read by the CPU.

**TESTS 13,14
VccON_FLT, GndON_FLT**

These tests walk the Vcc or Gnd relays on. Their operation is verified through the fault circuitry to the MONBUS where the levels are read by the CPU.

**TEST 15
PULLPOS_FREQ**

This test walks a positive pulse through the pull-ups latch to the frequency circuitry.

**TESTS 16,17
TRIGQAL0_EQUAL, TRIGQAL1_EQUAL**

These tests walk a 0 or a 1 through the trigger and qualifier latches and the results are determined through reading the EQUAL line.

**TESTS 18,19
QAL0_EQUAL, QAL1_EQUAL**

These tests walk a 0 or a 1 through the qualifier latches and the results are determined through reading the EQUAL line.

NOTE: For tests 18 and 19, an X in the general test result means that individual results are unavailable.

**TESTS 20,21
TRIG0_EQUAL, TRIG1_EQUAL**

These tests walk a 0 or a 1 through the trigger latches and the results are determined through reading the EQUAL line.

NOTE: For tests 20 and 21, an X in the general test result means that individual results are unavailable.

**TESTS 22,23
PULL0_TRIG_EQUAL, PULL1_TRIG_EQUAL**

These tests walk a 0 or a 1 through the pull-ups latches, through the trigger circuitry and are read through the EQUAL line.

NOTE: For tests 22 and 23, an X in the general test result means that individual results are unavailable.

**TEST 24
PULL0_TRIGQAL**

This test walks a 0 through the pull-ups latches, through the trigger and qualifier circuitry and the results are determined through reading the EQUAL line.

NOTE: For test 24, an X in the general test result means that individual results are unavailable.

TESTS 25,26 FM_STAT_NFLT, FM_STAT_FLT

These tests perform a static FMASK test. All lines are expected to pass for the "_NFLT" test while all lines are expected to fail for the "FLT" test.

TEST 27 FMASK_WB_TEST

This test does an approximate test using fixed values for FMASK. It uses a tolerance three times that of the FMxx tests. This test is performed to determine whether or not the FMASK curve is within a very wide margin.

TEST 28 FMASK_CAL

This routine determines the calibration values to be used by FMASK.

TESTS 29,31,33,35,37,39 FMxx_FLT

These tests use a pulse of fixed duration (40, 80, 120, 160, 200 and 240ns) and set FMASK to just below the duration of the pulse. All lines are expected to produce a fault. Those which do not are flagged as faulty.

TESTS 30,32,34,36,38,40 FMxx_NFLT

These tests use a pulse of fixed duration (40, 80, 120, 160, 200 and 240ns) and set FMASK to just above the duration of the pulse. All lines are expected to produce no fault. Those which do are flagged as faulty.

TEST 41 ACT_DIS_CLR

This test checks the disabling and clearing functions of the activity circuitry. It disables the activity circuit and pulses all lines. Any lines which indicate activity are flagged as faulty. It also verifies that the activity latches may be cleared and that a single edge on all lines produces a 1 (activity occurred) in all latches.

The bits in the results indicate normal pin numbers with the exception of the following:

BYTE 0 -	B7 -	N/U
	B6 -	N/U
	B5 -	Could not clear PAL latches.
	B4 -	Could not activate all lines with a single edge.

TESTS 42,43

PULL0_ACT_TSTON, PULL1_ACT_TSTON

These tests walk a rising edge(1) or a falling edge(0) from the pull-ups latches through the activity circuitry. The activity circuit is controlled by the TSTON signal.

TESTS 44, 45

PULL0_ACT_ACTSTR, PULL1_ACT_ACTSTR

These tests walk a rising edge(1) or a falling edge(0) from the pull-ups latches through the activity circuitry. The activity circuit is controlled by the ACTSTR signal.

TESTS 46,47

FREQ_BIAS_SHORT, FREQ_BIAS_LONG

These two tests are almost identical, the only difference being that the long test verifies all possible values of threshold and the short test only tests at 1 volt increments. The tests are a collection of several subtests involving frequency and threshold hardware on the High Speed Board and Input Buffer and they are detailed below. As they are being done, the left part of the screen shows timing values from the frequency test and the right side of the screen shows the highest and lowest differences between expected and measured voltage values.

Many of the subtests require that a voltage on the Interface Buffer be measured. One of several possible voltages is selected using the analog mux on the input buffer. This feeds the into the VCO, the output of which is sent to the High Speed Board where the frequency is measured. The same thing is also done for 0 volts and 2.5 volts to obtain a calibration ratio that is used to determine the exact voltage of the signal selected.

Interface Buffer shift register subtest

This tests to see if data can be shifted through the shift registers on the Interface Buffer correctly. There are two banks of registers on the board. Only the pullup registers are explicitly tested because there is no feedback line from the threshold registers. The threshold registers are implicitly tested by the other tests. The test procedure is as follows:

- a) shift data - msbit = 0
- b) read the voltage of the msbit: must be <2V
- c) shift data - msbit = 1
- d) read the voltage of the msbit: must be >2V

If this test fails it does not set one of the data bits but rather sets the shifting error flag.

Frequency HW subtest

The frequency hardware tested is on the High Speed Board. It can be configured in several different ways (the setup for this is shown in the MODE box on the schematic), all of which are independently tested.

1. Read a frequency. A 25MHz clock is generated and the frequency is measured.
2. Read the period. Pin #2 is selected through the frequency mux (this hardware is tested in a different selftest). It is setup to read the period and then the CPU generates a cycle of fixed duration on this line using the pullup registers on the Interface Buffer. The period displayed should be approximately 990 us.
3. Read the high time and low time. These are done in the same way as the period test except the times are displayed. Low time should be approximately 815 us and high time 175 us.

Threshold HW subtest

This subtest programs a value of threshold and reads it back to verify that it is within an acceptable range. The variation between the measured value and the value programmed (in mV) is displayed on the screen. The long test goes through all possible settings between 0 and 5 volts and the short test only goes in steps of 1 volt.

After the threshold setting has been tested the threshold is calibrated to compensate for input offsets in the comparators. The pullups are used to set the actual threshold on the input to the comparator to 4.16 and 0 volts and then the threshold is adjusted to see what offset added to the amount programmed (4.2 and 0 volts) will be closest to the actual threshold of the comparators. If the adjustment exceeds an allowable amount the calibration part of this test will fail.

Reset HW subtest

For this subtest the reset relays are set so that power for reset comes from 5 volts and the output is fed into the analog mux.

- a) reset = high: must be > 4 volts
- b) reset = low: must be < 1 volt
- c) reset = off: must be < 4 volts & > 1 volt

Result bytes:**BYTE 0**

- b7 - 0
- b6 - 0
- b5 - 0
- b4 - 0
- b3 - Threshold calibration failed. Ignore this bit unless the other bits in this byte are clear. If they are clear and this bit fails the output of the threshold Op Amp has too great an offset.
- b2 - Unable to complete test. Something is wrong with the CPU - CIO interface.
- b1 - The threshold was too high. The output of the Op Amp was greater than expected by more than the allowable amount.
- b0 - The threshold was too low. The output of the Op Amp was less than expected by more than the allowable amount.

BYTE 1

- b7 - Vcc(IB) is too high (> 5.2V). The main Vcc voltage as read at the Interface Buffer is too high. If this test fails, ALL other selftests are invalid.
- b6 - Vcc(IB) is too low (< 4.84V). The main Vcc voltage as read at the Interface Buffer is too low. If this test fails ALL other selftests are invalid.
- b5 - 0
- b4 - 0
- b3 - 0
- b2 - Unable to turn off the reset line. The reset output from the Interface Buffer could not be made to go tri-state.
- b1 - Unable to drive the reset line low. The reset output from the Interface Buffer could not be made to go low.
- b0 - Unable to drive the reset line high. The reset output from the Interface Buffer could not be made to go high.

BYTE 2

- b7 - Period measured was too long. There are several possible causes. The 25MHz crystal could be oscillating at the wrong frequency, the WSG pal could be faulty, almost any of the 4 frequency chips could be bad.
- b6 - Period measured was too short. There are several possible causes. The 25MHz crystal could be oscillating at the wrong frequency, the WSG pal could be faulty, almost any of the 4 frequency chips could be bad.
- b5 - No results obtained from period read. The test has timed out. Something is wrong with the CPU - CIO interface.
- b4 - Unable to set up the period read. Something is wrong with the CPU - CIO interface.
- b3 - HW oscillator (25MHz) is too fast. There are several possible causes. The 25MHz crystal could be oscillating at the wrong frequency, almost any of the 4 frequency chips could be bad, the 2925 clock generator could be bad, there could be a problem in the frequency muxes.

- b2 - HW oscillator (25MHz) is too slow. There are several possible causes. The 25MHz crystal could be oscillating at the wrong frequency, almost any of the 4 frequency chips could be bad, the 2925 clock generator could be bad, there could be a problem in the frequency muxes.
- b1 - No results obtained from freq read. The test has timed out. Something is wrong with the CPU - CIO interface.
- b0 - Unable to set up the frequency read. Something is wrong with the CPU - CIO interface.

BYTE 3

- b7 - The active low duty cycle measured was too long. There are several possible causes. The 25MHz crystal could be oscillating at the wrong frequency, almost any of the 4 frequency chips could be bad, the WSG pal could be faulty, the 2925 clock generator could be bad, there could be a problem in the frequency muxes.
- b6 - The active low duty cycle measured was too short. There are several possible causes. The 25MHz crystal could be oscillating at the wrong frequency, almost any of the 4 frequency chips could be bad, the WSG pal could be faulty, the 2925 clock generator could be bad, there could be a problem in the frequency muxes.
- b5 - No results obtained from low read. The test has timed out. Something is wrong with the CPU - CIO interface.
- b4 - Unable to set up the low read. Something is wrong with the CPU - CIO interface.
- b3 - The active high duty cycle measured was too long. There are several possible causes. The 25MHz crystal could be oscillating at the wrong frequency, almost any of the 4 frequency chips could be bad, the WSG pal could be faulty, the 2925 clock generator could be bad, there could be a problem in the frequency muxes.
- b2 - The active high duty cycle measured was too short. There are several possible causes. The 25MHz crystal could be oscillating at the wrong frequency, almost any of the 4 frequency chips could be bad, the WSG pal could be faulty, the 2925 clock generator could be bad, there could be a problem in the frequency muxes.
- b1 - No results obtained from high read. The test has timed out. Something is wrong with the CPU - CIO interface.
- b0 - Unable to setup the high read. Something is wrong with the CPU - CIO interface.

TEST 48 KEYBOARD_OPEN

This test verifies that all keys are in the open state including the keys on the buffer. The last two bytes of the individual test result will contain two set bits which may be interpreted from the following matrix to identify the key that was depressed.

KEYBOARD MATRIX

byte	3-->	b7	b6	b5	b4	b3	b2	b1	b0	
2		J4	16	15	14	13	12	11	10	9
V	----	-----	-----	-----	-----	-----	-----	-----	-----	-----
b0		1	G	A	ESC	SHFT	CNTR	Y	S	M
b1		2	I	C	F2	space	< ,	= +	U	O
b2		3	K	E	F5	BoL<-	PgUp ^	: ;	W	Q
b3		4	L	F	F4	EoL->	PgDn v	? _	X	R
b4		5	# 3	! 1	ETC	ENTER	spare1	(9	& 7	%5
b5		6	\$ 4	@ 2	NEXT	TEST	spare2) 0	* 8	"6
b6		7	J	D	F3	spare3	> .	/ -	V	P
b7		8	H	B	F1	CE	<-->	Z	T	N
	----	-----	-----	-----	-----	-----	-----	-----	-----	-----

TEST 49 TEST_CYCLE

This test verifies that:

- the following lines are not broken or shorted:
 - /SYNCEN
 - /SHORT interrupt line
 - /RELEN
- the following timers are good:
 - Test time timer
 - 10 ms system timer
 - 1 ms free running timer
- gate and trigger work properly

/SHORT is checked to see if the line is high (ie. not shorted to ground). /SYNCEN and /RELEN are tested by having sync latches or relays cause a fault and verifying that the fault occurred.

Four bytes of test results are presented:
BYTE 0

- b7 thru 5 - 0 (not used)
- b4 - /STRFRQ output of TC PAL not working
- b3 - Interrupts failed
- b2 - /SYNCEN line test failed
- b1 - /SHORT test failed
- b0 - /RELEN test failed

NOTE: only interrupts generated by TIME port are tested.

BYTE 1

- b7 thru 3 - 0 (not used)
- b2 - test time timer
- b1 - 10 ms timer
- b0 - 1 ms timer

Each bit in bytes 2 and 3 corresponds to one execution of the test cycle, set up to produce the expected results. If any bit in bytes 2 or 3 is set it means that results were not as expected. For example, if b6 in byte 2 is set it means that the gate function was observed to be not active or faults were detected. Trigger is programmed with one word (level) in byte 2 trigger test; for byte 3, trigger is programmed with two words (edge). For all W2 related tests (byte 3 bits 3 thru 0), W1 always occurs.

BYTE 2

- b7 - gate did not occur no faults
- b6 - gate occurred no faults
- b5 - gate did not occur, faults
- b4 - gate occurred, faults
- b3 - trigger did not occur, no faults
- b2 - trigger occurred, no fault
- b1 - trigger did not occur, faults
- b0 - trigger occurred, faults

BYTE 3

- b7 - trigger W1 did not occur, no faults
- b6 - trigger W1 occurred, no faults
- b5 - trigger W1 did not occur, faults
- b4 - trigger W1 occurred, faults
- b3 - trigger W2 did not occur, no faults
- b2 - trigger W2 occurred, no faults
- b1 - trigger W2 did not occur, faults
- b0 - trigger W2 occurred, faults

TEST 50 UART_TEST

The RSCNT3, RSCNT2, and RSCNT1 lines on the Micro Board control the configuration of the rs232 port (DTE,DCE). These lines are put into a normally illegal state that allows the outputs of the UART to be fed into the inputs. This can be done in two ways and all tests are done in both configurations.

There are two tests: the first tests the control lines (DTR, CTS, ...) and the second transmits data between the transmitter and receiver. The second test is not done if the first fails.

1. Test the control lines (byte 2 & 3 results). Each of the control lines is tested with the other control line in a fixed state, first high then tested again with it low. At the top of the results for each byte the setting of the configuration lines is shown. For each test the state of the state of the two output control lines is shown as well as the input line and what state is expected on it.
2. Test the data lines. This test is NOT done unless test 1 passes. The baud rate is programmed to 9600 regardless of the setting of the rs232 port. At the end of the test it is reprogrammed with the correct value. A small block of data is sent and compared with what was received. The receiving of data is interrupt driven so that this test may fail if there is something wrong with this part of the board. The setting of the configuration lines is shown for each test.

RESULT BYTES

BYTE 0 = all bits 0

BYTE 1

b7 - 0

b6 - 0

b5 - 0

b4 - 0

b3 - 0

b2 - 0

b1 - 1 if serial data test failed with RSCNT[3,2,1]=001

b0 - 1 if serial data test failed with RSCNT[3,2,1]=110

NOTE RSCNT[3,2,1] means that control signals RSCNT3, RSCNT2, RSCNT1 to U1, U2, U7 on the Micro Board (page 9 of schematics) were held in the states shown during the test.

BYTE 2 - RSCNT[3,2,1] = 001

- b7 - DTR=0, RTS=1, test for CTS=1
- b6 - DTR=0, RTS=0, test for CTS=0
- b5 - DTR=1, RTS=1, test for CTS=1
- b4 - DTR=1, RTS=0, test for CTS=0
- b3 - DTR=0, RTS=0, test for DCD=0
- b2 - DTR=1, RTS=0, test for DCD=1
- b1 - DTR=0, RTS=1, test for DCD=0
- b0 - DTR=1, RTS=1, test for DCD=1

BYTE 3 - RSCNT[3,2,1] = 110

- b7 - DTR=0, RTS=1, test for CTS=1
- b6 - DTR=0, RTS=0, test for CTS=0
- b5 - DTR=1, RTS=1, test for CTS=1
- b4 - DTR=1, RTS=0, test for CTS=0
- b3 - DTR=0, RTS=0, test for DCD=0
- b2 - DTR=1, RTS=0, test for DCD=1
- b1 - DTR=0, RTS=1, test for DCD=0
- b0 - DTR=1, RTS=1, test for DCD=1

TEST 51 DGATE_TEST

This test is performed only if the Simulation Option (900-001) is installed. It verifies the functionality of the delayed-gate circuit. It checks the operation of the pre-scaler, the delay function, the duration function and the delayed-gate-activity circuit. Results are interpreted as follows:

	B7	B6	B5	B4	B3	B2	B1	B0
BYTE0	0	0	DGATE ACT	DGATE CLR	INF DUR	0 DELAY	PRE- SCALER	INVERT FAIL
BYTE1	/15 1.667M	/14 1.786M	/12 2.083M	/10 2.5M	/8 3.125M	/6 4.17M	/4 6.25M	/2 12.5M
BYTE2	D 128	U 64	R 32	A 16	T 8	I 4	O 2	N 1
BYTE3		D 64	E 32	L 16	A 8	Y 4		

- INVERT FAIL - Could not invert gate signal.
- PRE-SCALER - A division factor other than one in BYTE 1 failed.
- 0 DELAY - The test for bypassing the delayed gate circuit failed
- INF. DUR. - The test for infinite duration failed (Duration prematurely terminated).
- DGATE ACT - The dgate activity latch failed to register activity.
- DGATE CLR - The dgate activity latch was not cleared by TESTSTR.

Note: While this test is running in "looping" mode, the expected values and the measured results are displayed continuously on-screen in the following format (NOTE: The NEXT key advances to the next part of the test):

	Expected Minimum	Measured Value	Expected Maximum
For Example:	140.00 n	160.00 n	180.00 n

Sequence of results during test:

Message #	Minimum	Measured	Maximum	Circuitry Tested
#1	24.950 M	25.000 M	25.050 M	Prescaler - divide by 1
#2	12.450 M	12.500 M	12.550 M	Prescaler - divide by 2
#3	8.2833 M	8.3333 M	8.3833 M	Prescaler - divide by 3
#4	6.2000 M	6.2500 M	6.3000 M	Prescaler - divide by 4
#5	4.9500 M	5.0000 M	5.0500 M	Prescaler - divide by 5
#6	4.1167 M	4.1667 M	4.2167 M	Prescaler - divide by 6
#7	3.5214 M	3.5714 M	3.6214 M	Prescaler - divide by 7
#8	3.0750 M	3.1250 M	3.1750 M	Prescaler - divide by 8
#9	2.7278 M	2.7778 M	2.8278 M	Prescaler - divide by 9
#10	2.4500 M	2.5000 M	2.5500 M	Prescaler - divide by 10
#11	2.2227 M	2.2727 M	2.3227 M	Prescaler - divide by 11
#12	2.0333 M	2.0833 M	2.1333 M	Prescaler - divide by 12
#13	1.8731 M	1.9231 M	1.9731 M	Prescaler - divide by 13
#14	1.7357 M	1.7857 M	1.8357 M	Prescaler - divide by 14
#15	1.6167 M	1.6667 M	1.7167 M	Prescaler - divide by 15

#16	79.000 n	120.00 n	161.00 n	Duration - Bit0
#17	199.00 n	240.00 n	281.00 n	Duration - Bit1
#18	439.00 n	480.00 n	521.00 n	Duration - Bit2
#19	919.00 n	960.00 n	1.0010 u	Duration - Bit3
#20	1.8790 u	1.9200 u	1.9610 u	Duration - Bit4
#21	3.7990 u	3.8400 u	3.8810 u	Duration - Bit5
#22	7.6390 u	7.6800 u	7.7210 u	Duration - Bit6
#23	15.319 u	15.360 u	15.401 u	Duration - Bit7
#24	119.00 n	120.00 n	241.00 n	Delay - Bit0
#25	239.00 n	240.00 n	361.00 n	Delay - Bit1
#26	479.00 n	480.00 n	601.00 n	Delay - Bit2
#27	959.00 n	960.00 n	1.0810 u	Delay - Bit3
#28	1.9190 u	1.9200 u	2.0410 u	Delay - Bit4
#29	3.8390 u	3.8400 u	3.9610 u	Delay - Bit5
#30	7.6790 u	7.6800 u	7.7610 u	Delay - Bit6
#31	15.359 u	15.360 u	15.441 u	Delay - Bit7
#32	79.000 n	120.00 n	201.00 n	DGATE Inversion Test
#33	229.00 n	320.00 n	401.00 n	DGATE Infinite Duration Test

TEST 52
PULL0_XTRIG

If the Simulation Option (900-001) is installed, this test verifies the operation of the trigger circuit inside the shadow RAM ASIC chip configured for extended trigger. It walks a 0 through each line on the pull-ups latches and tries to trigger on each event.

	B7	B6	B5	B4	B3	B2	B1	B0
BYTE 0	0	ALL=1 FAIL	TSTON FAIL	TRIG	1	28	2	27
BYTE 1	3	26	4	25	5	24	6	23
BYTE 2	7	22	8	21	9	20	10	19
BYTE 3	11	18	12	17	13	16	14	15

ALL=1 FAIL - Indicates that one or more lines could not be set high initially (i.e. Lines shorted low). If only one line is shorted, that line is displayed. If multiple lines are shorted, individual lines cannot be displayed.

TSTON FAIL - The TSTON line failed to control the triggering.

TEST 53 PULL1_XTRIG

If the Simulation Option (900-001) is installed, this test verifies the operation of the trigger circuit inside the shadow RAM ASIC chip. It walks a 1 through each line on the pull-ups latches and tries to trigger on each event.

	B7	B6	B5	B4	B3	B2	B1	B0
BYTE 0	0	ALL=0 FAIL	TSTON FAIL	TRIG	1	28	2	27
BYTE 1	3	26	4	25	5	24	6	23
BYTE 2	7	22	8	21	9	20	10	19
BYTE 3	11	18	12	17	13	16	14	15

ALL=0 FAIL - Indicates that one or more lines could not be set low initially (i.e. Lines shorted high). If only one line is shorted, that line is displayed. If multiple lines are shorted, individual lines cannot be displayed.

TSTON FAIL - The TSTON line failed to control the triggering.

TEST 54 PULL_XEVENT

If the Simulation Option (900-001) is installed, this test verifies the operation of the event counter inside the shadow RAM ASIC chip configured for extended trigger. The tests are as follows:

1. Circuit configured as: EVENT-CLOCK=EQUAL, CLOCK-ENABLE=MATCH
 - Check for false clocking (clocking with CLOCK-ENABLE inactive)
 - Check for proper counting (set count = 255 and provide 255 clocks)
2. Circuit configured as: EVENT-CLOCK=MATCH, CLOCK-ENABLE=TSTON
 - Check for false clocking (clocking with CLOCK-ENABLE inactive)
 - Check for proper counting (set count = 255 and provide 255 clocks)

The results are interpreted as follows:

	B7	B6	B5	B4	B3	B2	B1	B0
BYTE 0	0					1-PTC	1-NTC	1-CDIS
BYTE 1	1-C7	1-C6	1-C5	1-C4	1-C3	1-C2	1-C1	1-C0
BYTE 2						2-PTC	2-NTC	2-CDIS
BYTE 3	2-C7	2-C6	2-C5	2-C4	2-C3	2-C2	2-C1	2-C0

NOTE: 1-x,2-x refer to configurations 1 and 2 as described above.

PTC- Premature Terminal Count. The terminal count was reached before expected. The following byte indicates the number of clocks which occurred when terminal count was reached.

NTC- No Terminal Count. Terminal count did not occur after supplying 255 clocks.

CDIS- Count Disable. The event counters clock-enable line is not functioning, allowing the counter to count when clock-enable is inactive.

TEST 55 SHAD_INIT

If the Simulation Option (900-001) is installed, this tests the shadow RAM initialization and readback functions using the SRAM master pattern.

1. **Manual initialization test:**
 - Manually write all locations with 0.
 - Read back all locations checking for 0.
 - Manually write all locations with 1.
 - Read back all locations checking for 1.

2. **Auto initialization test:**
 - Auto initialize all locations with 0.
 - Read back all locations checking for 0.
 - Auto initialize all locations to 1.
 - Read back all locations checking for 1.

RESULT BYTES:

	B7	B6	B5	B4	B3	B2	B1	B0
BYTE 0	0				AI1	AI0	MI1	MI0
BYTE 1								
BYTE 2								
BYTE 3								

AI1- Auto-Initialization to 1 failed.
 AI0- Auto-Initialization to 0 failed.
 MI1- Manual-Initialization to 1 failed.
 MI0- Manual-Initialization to 0 failed.

TEST E60
WALK_SIZELEDS

This test turns off all of the SIZE LED's and walks each one on. It then turns on all of the LED's and walks each one off. This test is visual and is not executed during power-up selftest.

TEST E61
TEST_MEMORY

This test verifies the cckecksums of all of the ROMs and tests most of the RAM. The SRAM that is in use when the test is started is not tested. This test will normally take about five minutes to complete.

Byte 0- bit 0 is set if the system failed. This is the lower 1/4 of the SYSAF EPROM.

Byte 1 - bit 7 is set if any overlay failed. The other bits indicate which overlay failed first. When one overlay fails the remaining ones are not tested. They are tested in ascending order.

- 0000 - SYSCOM, SYSB or SYSD
- 0001 - SEQ, SYSB or SYSD
- 0010 - COMPIL, SYSB or SYSD
- 0011 - USER, SYSB or SYSD
- 0100 - MATH, SYSB or SYSD
- 0101 - DISP, SYSB or SYSD
- 0110 - COM, SYSB or SYSD
- 0111 - FILE_U, SYSB or SYSD
- 1010 - RDTEST, SYSAF or SYSC
- 1011 - SLFTST, SYSAF or SYSC
- 1100 - MISC, SYSAF or SYSC
- 1101 - EDITOR, SYSAF or SYSC
- 1110 - LOG, SYSAF or SYSC
- 1111 - OTHER, SYSAF or SYSC

Byte 2 - data bits that failed when the SRAM was tested.

Byte 3 - This indicates the DRAM chips that failed on earlier Micro boards that used 8 DRAM chips. For boards that have 2 DRAM devices only at U82 and U86, any bit can indicate either of the DRAMs.

- B7 - U86
- B6 - U82
- B5 - U87
- B4 - U83
- B3 - U88
- B2 - U84
- B1 - U89
- B0 - U85

TEST E62 WALK_MONLEDS

This test turns off all of the MONITOR LED's and walks each one on. It then turns on all of the LED's and walks each one off. This test is visual and is not executed during power-up selftest.

TEST E63 UPDATE_VCC_LIM

This test reads the current value of Vcc on the buffer and updates the stored minimum and maximum readings if necessary.

TEST E64 SHAD_ADDR

The shadow RAM addressing test takes approximately 3 minutes to run.

RESULT BYTES:

	B7	B6	B5	B4	B3	B2	B1	B0
BYTE 0	WR	ADD	ADD					
BYTE 1	PT	NT						
BYTE 2	A15	A14	A13	A12	A11	A10	A9	A8
BYTE 3	A7	A6	A5	A4	A3	A2	A1	A0

ADD - Failed addressing test on LCA at U105 of High Speed Board.
Result bytes 2 and 3 identify the address lines in error.

WR -The byte written was not verified immediately after being written.

PT - Premature termination of initialization cycle.

NT - Initialization cycle not terminated.

TEST E70 KEY_CLOSURE

This test asks the operator to press the indicated key. When the key is pressed, the test moves on to the next key, approximately 150 combinations in all. This test does not return results in memory.

TEST E71 DISP_RAM

This test performs a ramtest of the display's memory. Results returned are as follows:

	B7	B6	B5	B4	B3	B2	B1	B0
BYTE 0	0	BUSY	DATA	ADDR	A11	A10	A9	A8
BYTE 1	A7	A6	A5	A4	A3	A2	A1	A0
BYTE 2	D7	D6	D5	D4	D3	D2	D1	D0
BYTE 3	0	0	0	0	0	0	0	0

- BUSY - Indicates that the display is always busy
- DATA - Indicates that the data bit test failed (results in byte 2)
- ADDR - Indicates that the address bit test failed (results in bytes 0 & 1)

NOTE: The DATA and ADDR tests are not executed if the BUSY test fails.

TEST E74 DISP_CHAR_SET

This test writes the character set to the screen. The order is not by ASCII code but rather by logical character grouping. This test returns no results in memory.

TEST E75 CART_SLFT

This test formats the cartridge. It is intended for "BURN-IN". This test returns no results in memory.

TEST E76 TEST_C_ENG

This is a similar test to TEST_CYCLE (49). The only difference is that the RD power line is momentarily shorted to verify that an interrupt caused by a shorted RD is handled properly.

TEST E77 ACT_CROSS

This test verifies that there is no cross talk between lines that can affect activity circuit. The line being checked is held low while all other lines are toggled. The line is then held high while all other lines are toggled. The activity circuit is used to trap any activity on the inactive line.

This test cannot be executed with a clip inserted.

**TEST E78
TRG_CROSS**

This test verifies that there is no cross talk between lines that can affect the trigger circuit. The line being checked is held low while all other lines are toggled. The line is then held high while all other lines are toggled. The trigger circuit is used to trap any activity on the inactive line.

This test cannot be executed with a clip inserted.

**TEST E79
FRQ_CROSS**

This test verifies that there is no cross talk between lines that can affect frequency measurement circuit. The line being checked is held low while all other lines are toggled. The line is then held high while all other lines are toggled. The frequency circuit is used to trap any activity on the inactive line.

This test cannot be executed with a clip inserted.

**TEST E80
FLT_CROSS**

This test verifies that there is no cross talk between lines that affect the fault circuit. The line being checked is held low while all other lines are toggled. The frequency circuit is used to trap any activity on the inactive line.

This test cannot be executed with a clip inserted.

3.4 System Error Codes

System Error Codes appear on the command line of the 900 when its microprocessor operation hangs up. These codes are used mainly for design debug, but are included here for completeness in the event a software bug is encountered. The most common cause of such a system crash is the loading of a corrupted simulated reference device file.

These codes are not of much use for hardware troubleshooting. The only hardware code is 80 and its message appears similar to the following:

```
System Error #80
PC = 536A
Overlay = Selftest
Cannot clear Fault Latches
```

This indicates that at the time of the crash, the microprocessor Program Counter contained the value 536A and memory addressing was in the Selftest overlay.

File Management Error Codes

```
01  FILE IS OPEN
02  DEVICE ALREADY FORMATTED
03  FILE NOT FOUND
04  FILE ALREADY EXISTS
05  INSUFFICIENT SPACE ON DESTINATION DEVICE
07  WRITTEN BYTE FAILED TO VERIFY
08  CANNOT WRITE DEVICE
09  FILE CANNOT BE DELETED
0A  DEVICE DOES NOT EXIST
0B  FILE NOT OPEN
0C  ERROR SETTING PAGE
0D  ERROR SETTING CHAPTER
0E  ERROR ACCESSING DEVICE
0F  PASSWORD INVALID
10  INSUFFICIENT STACK SPACE FOR TRANSFER
11  UNABLE TO COMPRESS
12  CHECKSUM ERROR ON FILE
13  COPY PROTECTED
14  DEVICE NOT FORMATTED
15  FILE UNRECOVERABLE/NOT FOUND
16  FILE IS DELETE PROTECTED
17  DEVICE HAS NO OVERHEAD
18  DIRECTORY EXCEEDS PAGE OVERHEAD
19  DCB DATA DOES NOT MATCH DEVICE DATA
1A  ERROR IN OVERHEAD DATA
1B  ADDRESS IS OUT OF FILE BOUNDS
1C  FILE IS TOO BIG TO BE LOADED
1D  DEVICE PASSWORD INCORRECT
1E  END OF FILE REACHED
```

- 1F DEVICE IS MODIFY PROTECTED
- 20 DEVICE IS COPY PROTECTED
- 21 DEVICE IS DELETE PROTECTED
- 22 INVALID FILE TYPE
- 23 FILE EXCEEDS ALLOWABLE SIZE
- 24 FILE IS CORRUPT

Hardware Error Code

- 80 CANNOT CLEAR FRAMING (FLM LATCHES)

Register Error Codes

- B0 STACK/HEAP COLLISION
- B1 UNBALANCED DEFINITION
- B2 CURSOR LIMIT ERROR - LINE
- B3 CURSOR LIMIT ERROR - COLUMN
- B4 COMMAND WAS ABORTED

Communications Error Codes

- D0 FILE NOT IN COMPILED-TRANSMISSION FORMAT
- D1 PARITY ERROR
- D2 FRAMING ERROR
- D3 OVERRUN ERROR

4 Troubleshooting

4.1 Test Result Interpretation

The first step in troubleshooting is to use the poweron self test to establish a result failure profile. Select <<prt_res>> from the debug screen to dump the detailed results to a printer connected to the RS232 port. The listing will consist of general results, flags and failing individual results. If no printer is available, record the individual results as they appear on the display after pressing <<display>> "test #" <ENTER> for each failing test number.

The following rules are suggested for interpreting the listed results:

RULE 1:

Investigate flag failures before other failed tests. They indicate catastrophic operational failures and cause a number of other tests to fail. The exception to this rule is when only the following flag(s) are present:

Interface Buffer Register (BYTE 1 b7)
Threshold Calibration (BYTE 3 b2)
FMASK Calibration (BYTE 3 b3)

These flags can be caused by many things and it is usually better to begin by investigating other failing tests first.

RULE 2:

If Test 46 fails and the power supply bits of the individual result are set (bits 6,7 of BYTE1), check the power supply voltages with a voltmeter. A problem here will cause many other failures. If the voltages are good, then start investigating other failed tests before number 46. The functions it exercises are complex and not easy to troubleshoot.

RULE 3:

If multiple tests or multiple lines are failing, this indicates a control circuit problem. A single line failing can be caused by a component in the signal path of that channel.

RULE 4:

When multiple tests or lines are failing, use the table that follows in this section to identify the common circuit blocks. Refer to the theory in Section 2 to crossreference these blocks to the board schematics. The fault can normally be isolated to the common circuitry. In addition, signal flow diagrams at the end of this section can be of some help, since they depict the active circuitry for a number of tests.

For example, if tests 1 and 2 pass on a certain line while tests 3 and 4 fail on the same line, the Interface Buffer must be good, since the stimulus for tests 1 through 4 comes from the Buffer.

4.2 Selftest / Circuit Block Reference Table

The following table describes state of major hardware blocks during each individual selftest.

Conventions:

S0	static low level
S1	static high level
W0	walking low level
W1	walking high level
A	active
-P	pulsed low
+P	pulsed high
F	FBUS monitored
E	EBUS monitored
WVcc	walking Vcc pulse thru RD power relays
WGnd	walking ground pulse thru RD power relays

4.3 Selftest Circuit Block Diagrams

Each selftest or group of similar selftests is shown on a block diagram with indicators for:

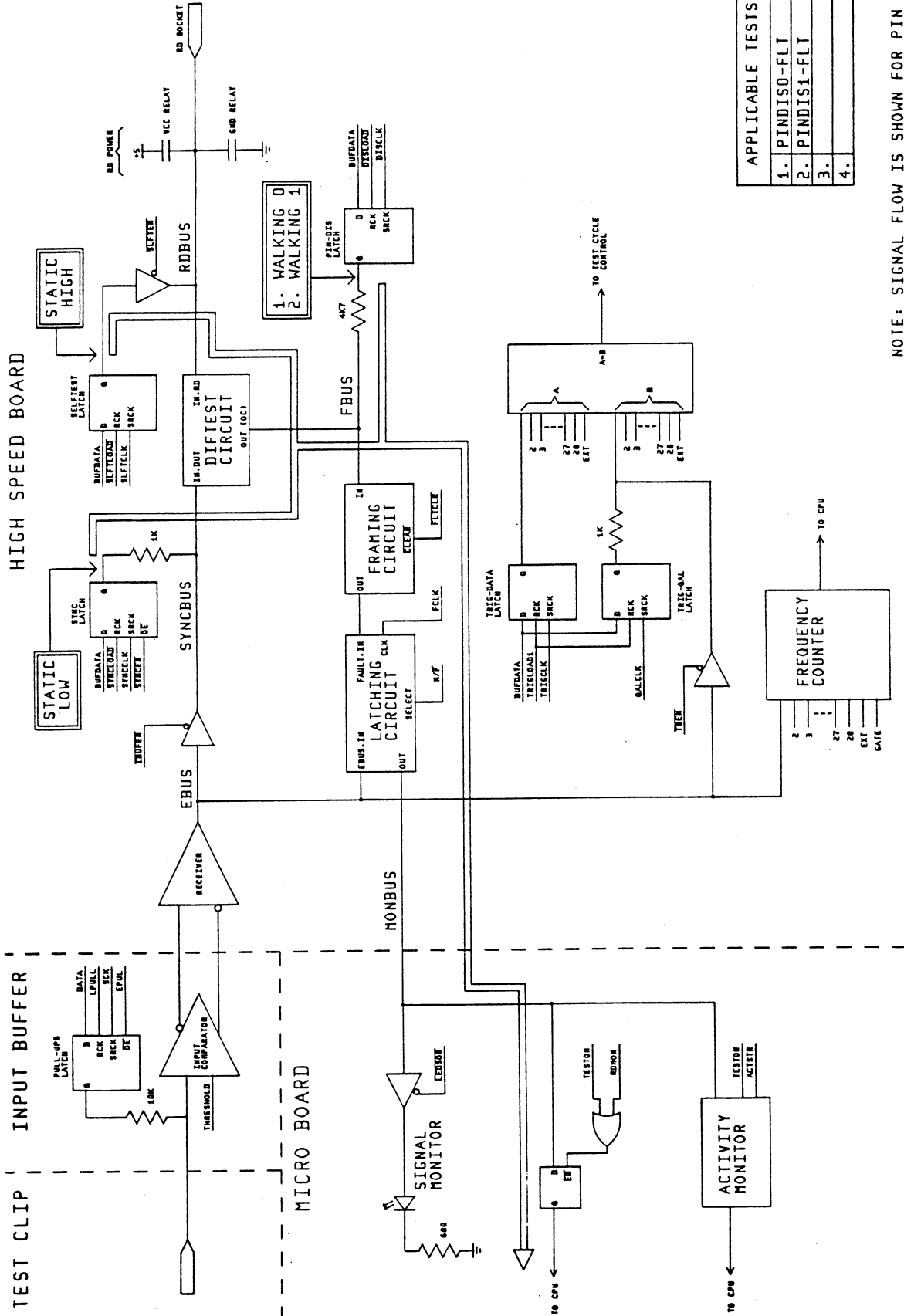
- stimulus type
- stimulus origin
- signal flow

A separate diagram appears for:

Test 0
Tests 1,2
Tests 3,4
Tests 5-8
Tests 9,10
Tests 11,12
Tests 13,14
Test 15
Tests 16,17
Tests 18,19
Tests 20,21
Tests 22,23
Test 24
Tests 25,26
Tests 27,28
Tests 29-40
Test 41
Tests 42-45

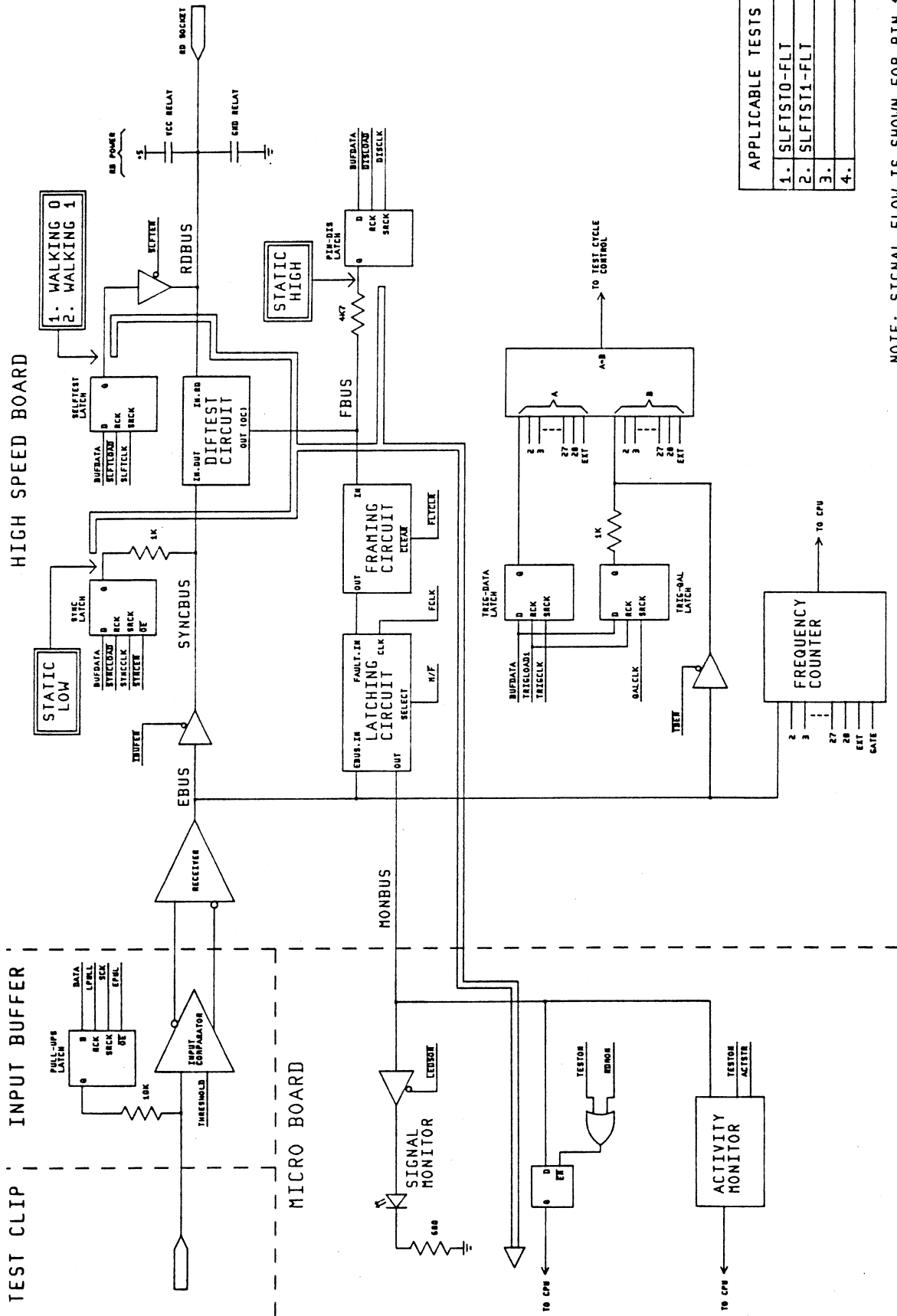
Tests 46 through 55 and the Extended Tests do not have separate diagrams.

Tests 46,47 and 49 are comprehensive tests that exercise most of the circuitry. Tests 48 and 50 (keyboard and UART) narrowly exercise their appropriate circuits. Tests 51 through 55 exercise the Simulation Option circuitry with activity from the Interface Buffer through to the EBUS. This circuitry for Delayed Gate and Shadow RAM is not shown on the diagrams in this section, but is shown on the similar diagram of Section 2.4.



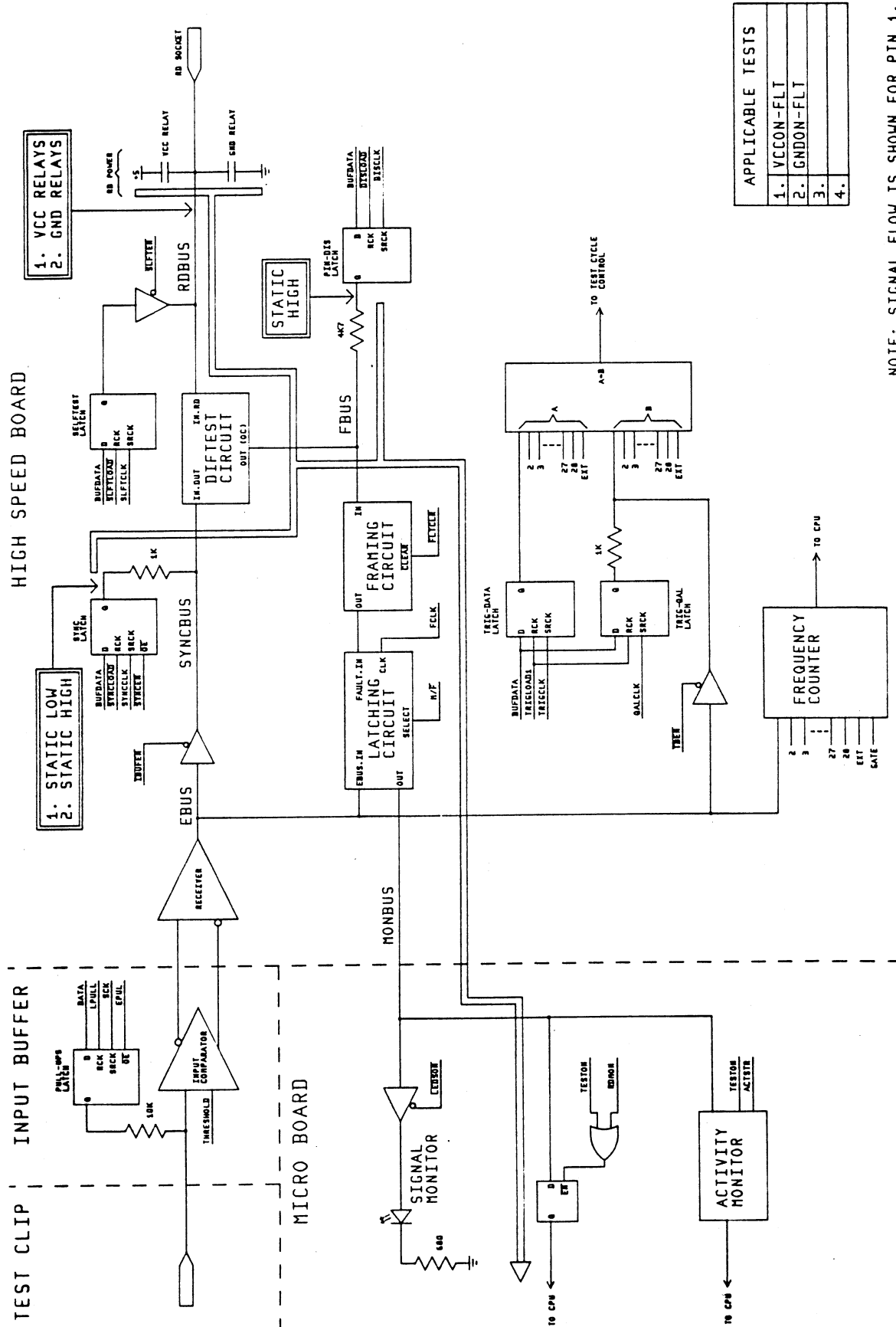
APPLICABLE TESTS	
1.	PINDISO-FLT
2.	PINDISI-FLT
3.	
4.	

NOTE: SIGNAL FLOW IS SHOWN FOR PIN 1.



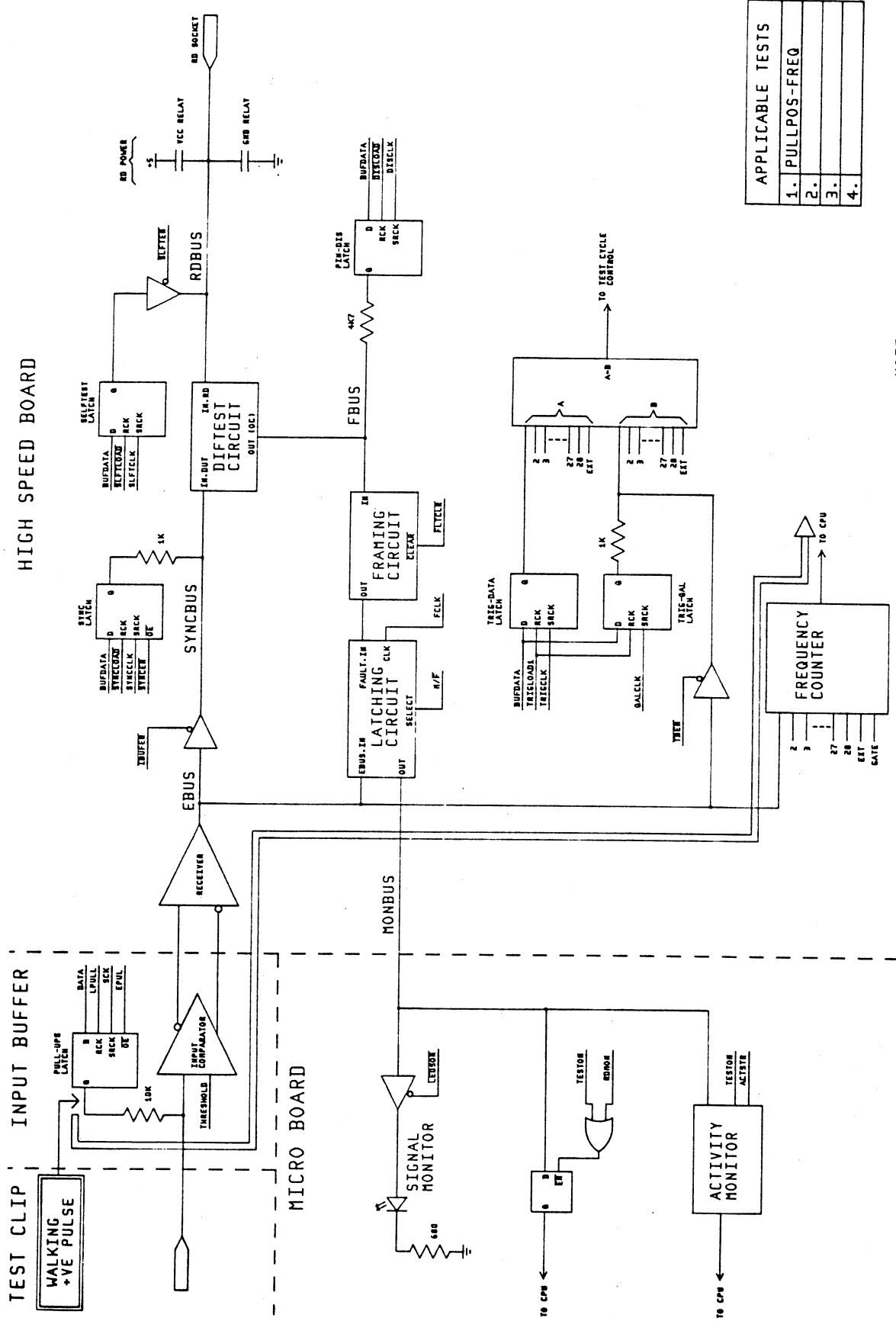
APPLICABLE TESTS	
1.	SLFTST0-FLT
2.	SLFTST1-FLT
3.	
4.	

NOTE: SIGNAL FLOW IS SHOWN FOR PIN 1.



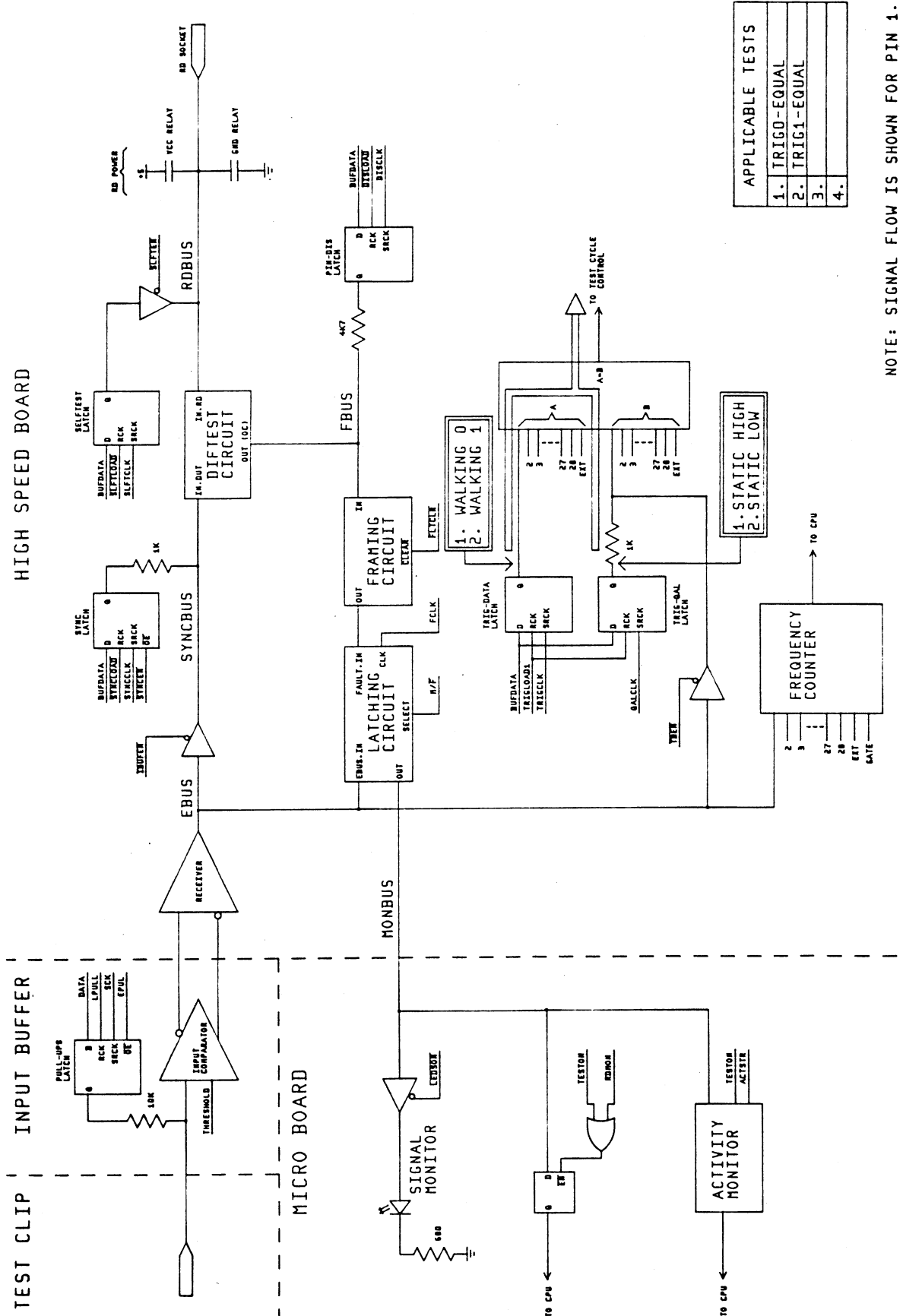
APPLICABLE TESTS	
1.	VCCON-FLT
2.	GNDON-FLT
3.	
4.	

NOTE: SIGNAL FLOW IS SHOWN FOR PIN 1.



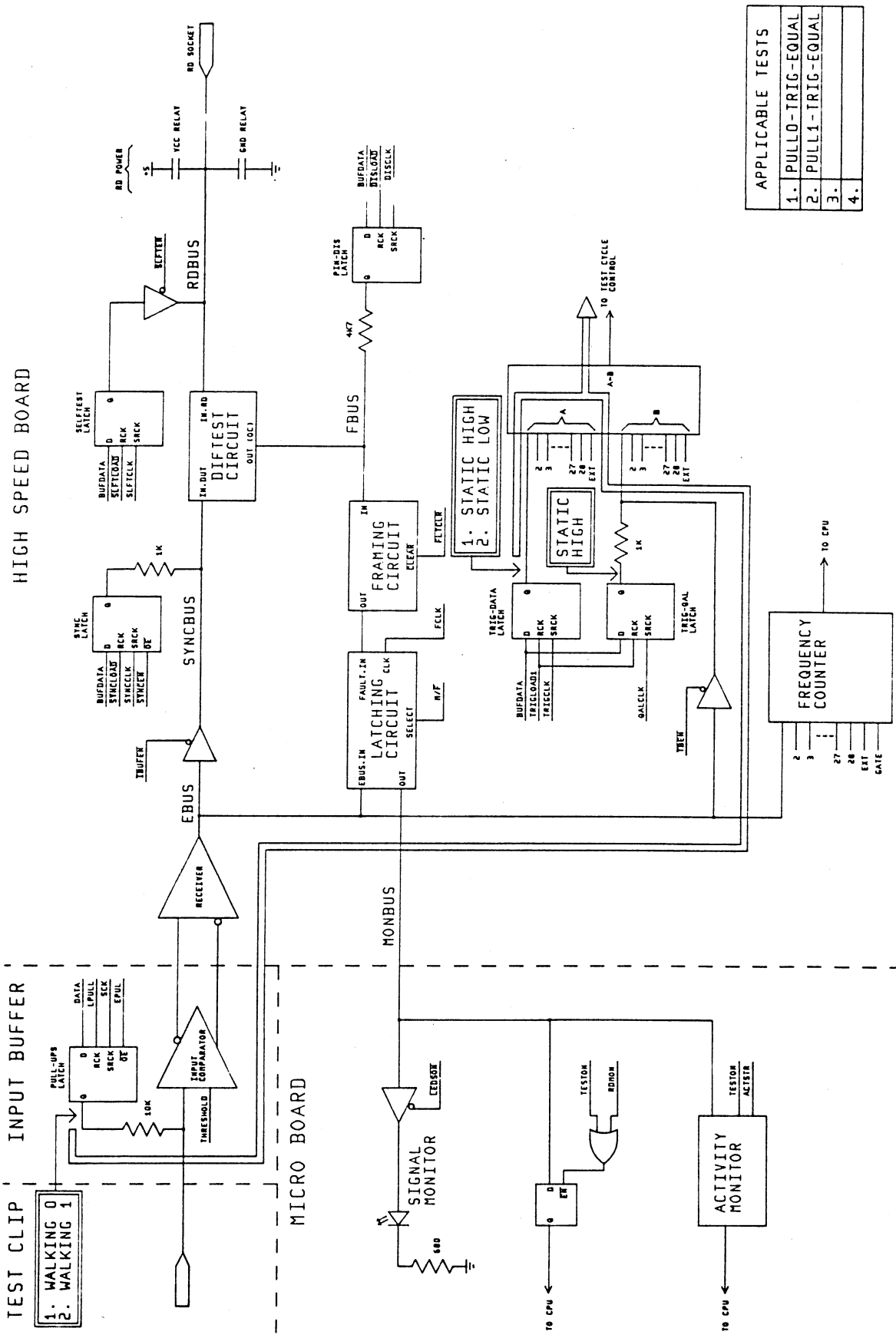
APPLICABLE TESTS	
1.	PULLPOS-FREQ
2.	
3.	
4.	

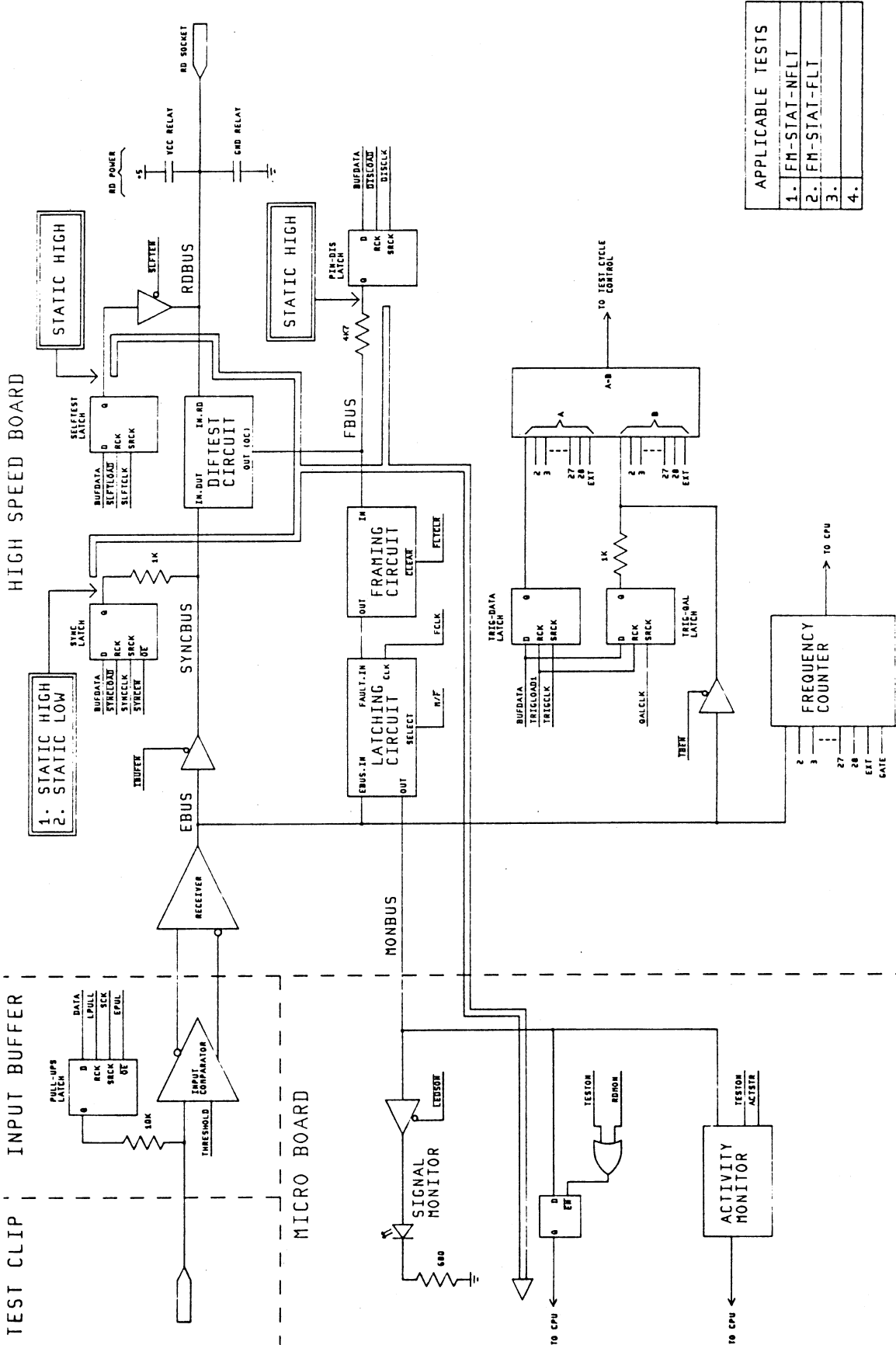
NOTE: SIGNAL FLOW IS SHOWN FOR PIN 1.



APPLICABLE TESTS	
1.	TRIGO-EQUAL
2.	TRIG1-EQUAL
3.	
4.	

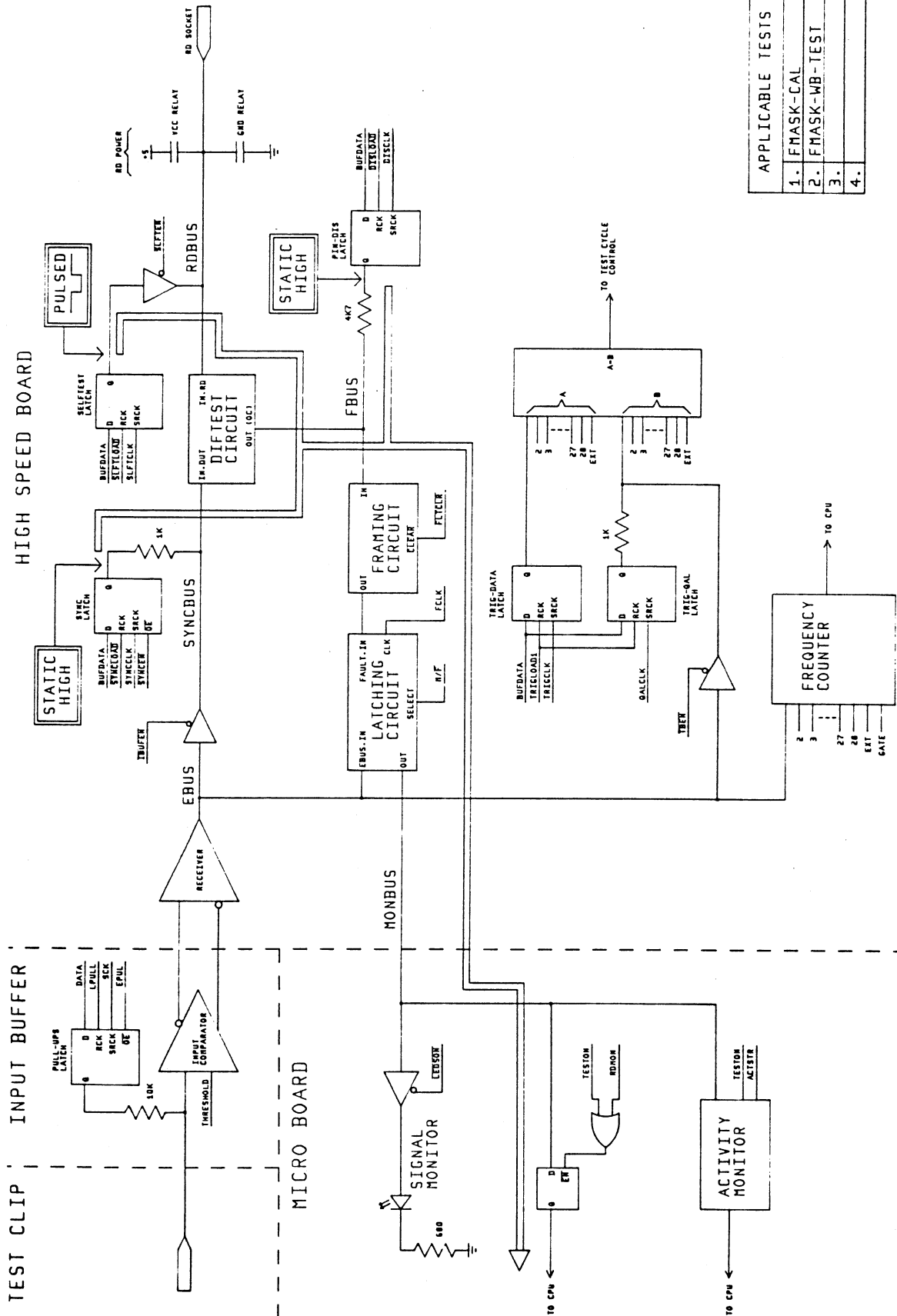
NOTE: SIGNAL FLOW IS SHOWN FOR PIN 1.





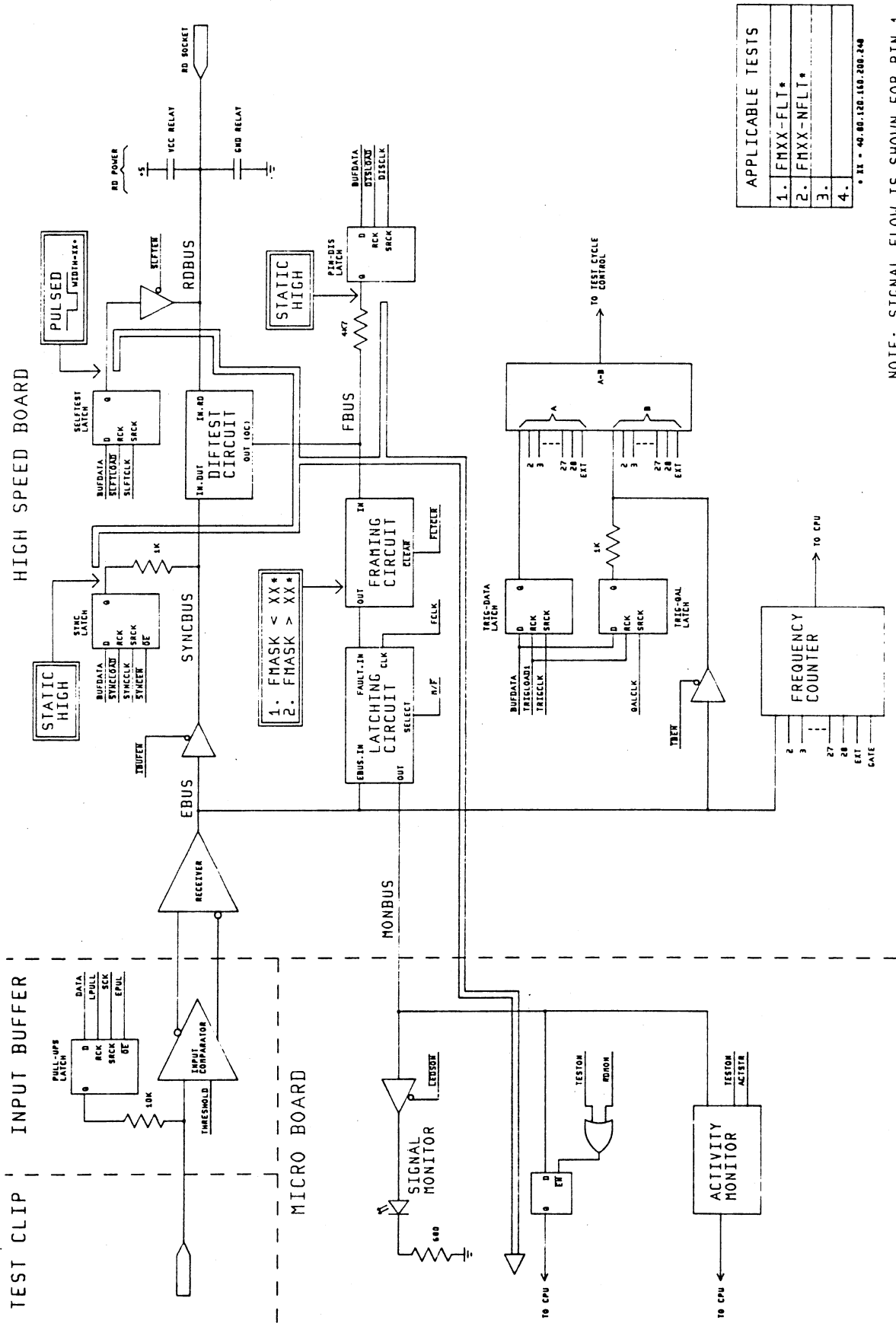
APPLICABLE TESTS	
1.	FM-STAI-NFLT
2.	FM-STAI-FLT
3.	
4.	

NOTE: SIGNAL FLOW IS SHOWN FOR PIN 1.



APPLICABLE TESTS	
1.	F MASK-CAL
2.	F MASK-WB-TEST
3.	
4.	

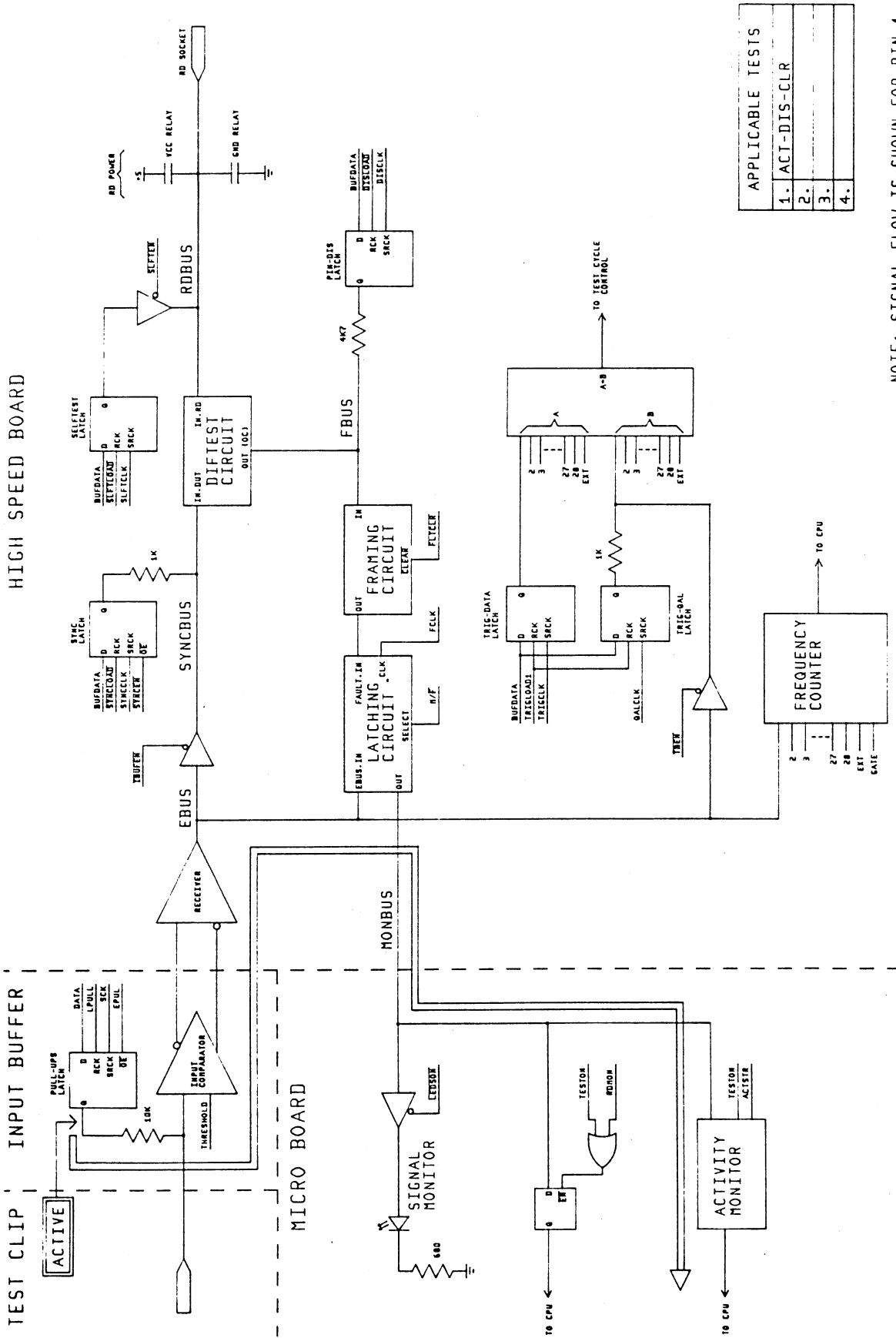
NOTE: SIGNAL FLOW IS SHOWN FOR PIN 1.



APPLICABLE TESTS	
1.	FMXX-FLT*
2.	FMXX-NFLT*
3.	
4.	

* XX = 40, 80, 150, 160, 200, 240

NOTE: SIGNAL FLOW IS SHOWN FOR PIN 1.



APPLICABLE TESTS	
1.	ACT-DIS-CLR
2.	
3.	
4.	

NOTE: SIGNAL FLOW IS SHOWN FOR PIN 1.

4.4 Failure Examples

4.4.1 IB Reversal

This failure usually results in error on lines 9, 10, 19, 20. The following components will be damaged:

U8, U9, U10, RN40, RN41

File: SELFTEST_RESULT.sys:SYST

Selftest results

Software version: X.XX

Library version: X.XX

HSB rev: 1

- Delayed Gate Installed

MB rev: 0

IB rev: 0

General results:

```
x1111 11111 11111 10000 00010 01111
01010 10101 01111 1ix0x x0xxx xxxxx
```

Flags:

```
00000000 10000000 00000000 00001100
00000000 00000000 00000000 00000000
```

Individual results:

```
1 00001111 11111111 11111111 11111111
2 00001111 11111111 11111111 11111111
3 00001111 11111111 11111111 11111111
4 00001111 11111111 11111111 11111111
5 00001111 11111111 11111111 11111111
6 00001111 11111111 11111111 11111111
7 00001111 11111111 11111111 11111111
8 00001111 11111111 11111111 11111111
9 00001111 11111111 11111111 11111111
10 00001111 11111111 11111111 11111111
11 00001111 11111111 11111111 11111111
12 00001111 11111111 11111111 11111111
13 00001101 00101000 00101000 00000000
14 00000100 00110100 10101010 10100010
15 00011111 11111111 11111111 11111111
23 00011111 11111111 11111111 11111111
26 00001111 11111111 11111111 11111111
27 00001111 11111111 11111111 11111111
28 01000000 00000000 00000000 00000000
29 00001111 11111111 11111111 11111111
31 00001111 11111111 11111111 11111111
33 00001111 11111111 11111111 11111111
35 00001111 11111111 11111111 11111111
37 00001111 11111111 11111111 11111111
39 00001111 11111111 11111111 11111111
41 00010000 00000000 00000000 00000000
42 00001111 11111111 11111111 11111111
43 00001111 11111111 11111111 11111111
44 00001111 11111111 11111111 11111111
45 00001111 11111111 11111111 11111111
46 00001000 11000110 00010000 00000000
```

4.4.2 Static-blown HSB

Damage usually occurs due to touching of J1 or J2 connector. Most of the time the only component needing replacement will be differential ECL receiver.

```
File: SELFTEST_RESULT.sys:SYST
```

```
Selftest results
```

```
Software version: X.XX
```

```
Library version: X.XX
```

```
HSB rev: 1
```

```
- Delayed Gate Installed
```

```
MB rev: 0
```

```
IB rev: 0
```

```
General results:
```

```
x1111 00000 00000 00000 00010 00000
00000 00000 00111 11x0x x0xxx xxxxx
```

```
Flags:
```

```
00000000 00000000 00000000 00000100
00000000 00000000 00000000 00000000
```

```
Individual results:
```

```
1 00000000 00000010 00000000 00000000
2 00000000 00000010 00000000 00000000
3 00000000 00000010 00000000 00000000
4 00000000 00000010 00000000 00000000
23 00000000 00000010 00000000 00000000
42 00001111 11111111 11111111 11111111
43 00000000 00000010 00000000 00000000
44 00000000 00000010 00000000 00000000
45 00000000 00000010 00000000 00000000
46 00001000 00000000 00000000 00000000
```


4.4.3 Missing -5 V

Mostly due to faulty power supply, this failure will affect almost all tests.

File: SELFTEST_RESULT.asp:SYST

FLUKE 900 - Selftest results

Software version: X.XX
Library version: X.XX

MSB rev: 0

MB rev: 0

IB rev: 0

General results:

x11111 00000 00000 10000 00001 00000
00000 00000 01111 11x0x xxxxx xxxxx

Flags:

000000000 000000000 000000000 000001000
000000000 000000000 000000000 000000000

Individual results:

1	000000000	000000000	000011111	010000000
2	000000000	000000000	000011111	010000000
3	000000000	000000000	000011111	010000000
4	000000000	000000000	000011111	010000000
15	000000000	000000000	000011111	010000000
24	000000000	000000000	000011110	010000000
41	000100000	000000000	000000000	000000000
42	000011111	111111111	111111111	111111111
43	000011111	111111111	111111111	111111111
44	000000000	000000000	000011111	010000000
45	000000000	000000000	000011111	010000000
46	000010000	000000000	000000000	000000000

This page intentionally left blank.

5 Maintenance

5.1 Performing a Complete System Checkout

The Basic Functional Test is built into the system software as the power on selftest, which takes about 1 minute.

- Power the Fluke 900 up by setting the power switch to position "1".
- Monitor results of the built-in selftest. It should pass and proceed to the initial screen.
- Check the System Firmware Revision indicated at the bottom of the LCD display. All systems should have version 4.09 or higher. Systems with the Simulation Option (900-001) must have version 5.05 or higher. All systems can have the Learn feature and extended FMask and Threshold ranges when fitted with System Firmware Revision 6.00 or higher. The most current Library Firmware Revision (as of January 1992) is 6.00. It has only minor device additions to version 5.00, the recommended minimum.

The Extended Functional Test checks features which cannot be tested during the power up selftest (eg. RS232), or which have LED visual display only.

- Put the Fluke 900 into debug mode (refer to Section 1.2 for instructions).
Run test 50 (RS232) to verify that it passes. Note that no external device should be connected to the RS232 port during this test.
- Run test E60 to check the size LEDs with walking 1 and 0 patterns.
- Run test E62 to check the monitor LEDs with walking 1 and 0 patterns.
- Run test E76 to verify test cycle control. Ignore failures in BYTE1 of the test results.

The following procedure will register the limits of the power supply output voltage.

- From debug mode run test E63 continuously for as long as monitoring is required (usually about 5 minutes).
- Stop the execution of the test by pressing any key. It will not display voltage results on this menu, but will on the Engineering Menu as explained below. Return to the main screen by pressing **CNTR** three times.
- Bring up the special Engineering Menu by simultaneously pressing **ESC** and an unlabelled keyswitch found between **NEXT** and **TEST**. Press **F4**(Vcc) and the upper and lower voltage limits will be displayed, as they are measured on the Interface Buffer.
- Vcc should be between 5.00 and 5.04 volts.

5.2 Performing Adjustments

5.2.1 Adjustment to Vcc

The Vcc level is adjustable over a narrow range around 5.0 volts from a potentiometer on the power supply module.

- With the unit face-down and power off, remove the four screws from the bottom of the unit which hold the upper and lower halves together. Turn the unit face-up. The right side of the top half may be raised up and to the left, somewhat like opening a book, while still maintaining electrical connections between the two halves. This permits access to the PS potentiometer.
- Power up the unit and wait for a successful selftest.
- Follow the procedure outlined at the end of Section 5.1 to enter the Engineering Menu and display the Vcc value. The potentiometer may be reached through a hole in the top of the power supply cover. It is located in the middle of the edge closest to the center of the unit. The value should be set to about 5.02 to be within the limits of 5.00 to 5.04 volts.

5.2.2 Adjustment to Display Contrast

The display contrast is adjustable from a potentiometer on the Micro Board.

- With the unit face-down and power off, remove the four screws from the bottom of the unit which hold the upper and lower halves together. Turn the unit face-up. The right side of the top half may be raised up and to the left, somewhat like opening a book, while still maintaining electrical connections between the two halves. This permits access to the potentiometer.

Power up the unit and observe the main screen while turning the potentiometer located on the Micro Board near the Display Controller connector.

5.2.3 Changing System Firmware

The main screen after a successful power up selftest indicates the system firmware revision on the left and the library firmware revision on the right. System firmware resides on 4 EPROMs, standard library firmware on a single EPROM and custom library firmware on a single EPROM (eg. Simulation Library for Sales Demo UUT).

- Remove the Micro Board as described in Section 5.3.
- Remove the existing EPROMs and insert new ones according to the following list:

U60	SYS-AF
U61	SYS-B
U76	SYS-C
U77	SYS-D
U74	Custom Library EPROM (if present)
U75	Standard Library

The EPROM positions are shown in the layout diagram of Section 6 (Schematics). Do not Mix the EPROM devices as the unit will not operate properly.

- Reassemble the unit by reversing the disassembly instructions. In particular, make sure that the display controller, speaker wires and keyboard cables are connected. It is recommended that you not screw the top and bottom parts together with the final 4 screws, until you verify that the tester passes selftest.

5.2.4 Fuses and 110/220 V Conversion

The line fuse is located in a recessed compartment next to the power cord receptacle. To replace it, remove the power cord and slide the clear plastic panel over, exposing the fuse receptacle. Pull the black plastic lever to pop out the fuse. The proper rating for replacement fuses is 3A, 250 V.

For conversion between 120 V and 240 V, the small circuit card under the fuse must be removed, turned over and reinserted. The voltage setting is marked appropriately on each side of the card. To slide the clear plastic cover over completely to allow removal of the small card, it is necessary to flex the adjacent top cover of the tester.

5.3 Disassembly and Assembly Instructions

Before replacing any system modules, turn the unit off, remove the power cord and disconnect the Interface Buffer.

5.3.1 Microprocessor Board

1. With the unit face-down, remove the four screws from the bottom of the unit which hold the upper and lower halves together.
2. Turn the unit face-up and raise the right side of the top half up and to the left, somewhat like opening a book. This will expose a connector (J3) which attaches the two halves.
3. Press the ejectors at either end of the male connector and remove the mating female connector. The two halves should now be completely separated.
4. Remove the connector (upper left area of top half, component side) attaching the Micro Board to the Display Controller Board.

5. Remove the two speaker wires from their mating jacks (upper left area of top half, component side).
6. Remove the five screws and one nut which fasten the Micro Board to the top half of the unit and carefully lift the board out slightly. Note that the LEDs around the ZIF socket may adhere to the keyboard decal and require gentle pressure to separate.
7. Disconnect the two keyboard connectors from the Micro Board and remove the board completely.
8. To reinstall the Micro Board, first connect the two keyboard connectors to the new Micro Board. Put the new board in place.
9. Follow steps 6 through 1 (reversing the instructions). Note that a grounding wire is installed under the nut on the metal standoff. Some earlier models have selftapping screws that fit directly into the plastic standoffs. Do not tighten these too much as the plastic threads may be stripped. Most units have metal inserts in the standoffs and machine screws.

5.3.2 Keyboard

1. Follow steps 1 through 7 in Section 5.3.1.
2. Peel the keyboard away from the top cover and discard.
3. Clean the surface of the top cover if necessary such that nothing will prevent the new keyboard from laying flat.
4. Insert the new keyboard connectors through the opening in the top cover.
5. Peel away the backing on the new keyboard and carefully place it onto the top cover such that the LED and ZIF socket cutouts line up. The keyboard should fit into the indented area in the top cover.
6. Apply pressure in smoothing out the keyboard in order to work any air bubbles which may be trapped under it.
7. Reassemble as in step 9 in Section 5.3.1.

5.3.3 Speaker

1. Follow steps 1 through 7 in Section 5.3.1.
2. Remove the 4 screws which attach the speaker to the top cover.
3. Put the new speaker in place and install the 4 mounting screws.
4. Reassemble as in steps 8 and 9 of Section 5.3.1.

5.3.4 Display Controller

1. Follow steps 1 through 7 in Section 5.3.1.
2. Remove the 4 screws which attach the Display Controller Board to the top cover.
3. Move the cables from the old Controller Board to the new one, maintaining their orientation.
4. Ensure that the new Controller Board has the correct character generator installed. Replace if necessary.
5. Position the board onto its mounting holes and install the 4 mounting screws.
6. Reassemble as in steps 8 and 9 of Section 5.3.1.

5.3.5 Display

1. Follow steps 1 through 7 in Section 5.3.1.
2. Remove the 4 screws which fasten the display to the top cover.
3. Move the cable attached to the old display to the new display.
4. Ensure that the plastic window (top cover) is clean.
5. Position the new display against the plastic window and insert the 4 screws in their previous mounting position. Screw them in only lightly.
6. Power up the unit and verify that the bottom line of the display lines up properly with the edge of the keyboard. If not it may be repositioned before a final tightening of the 4 mounting screws.
7. Reassemble as in steps 8 and 9 of Section 5.3.1.

5.3.6 High Speed Board

1. Follow steps 1 through 3 in Section 5.3.1
2. Remove the 7 screws fastening the High Speed Board to the bottom cover.
3. Disconnect the power connector (J4).
4. Place the new board into position and follow steps 3 through 1, reversing the instructions.

5.3.7 Power Supply

1. Follow steps 1 through 3 in Section 5.3.1
2. Remove the 4 screws fastening the power supply top cover to the bottom enclosure.
3. Remove the 4 corner screws fastening the bottom enclosure to the standoff pillars. Remove the fifth screw on the bottom enclosure that is found between the fan and corcom AC connector.
4. Disconnect the power connector from the High Speed Board.
5. Follow steps 4 through 1, reversing the instructions, to reinstall.

5.3.7.1 Fan

1. Remove the Power Supply as described in the previous section.
2. Remove the 4 screws fastening the fan to the PS bottom enclosure.
3. Cut the red and black fan power wires about one inch from the fan.
4. Discard the old fan and connect new power wires to the red and black wires.

Note: Connections are to be soldered and covered with heat shrinkable tubing to insulate them.

5. Attach the new fan to the PS enclosure with its 4 screws.
6. Follow steps 4 through 1 in Section 5.3.7, reversing the instructions to reinstall the Power Supply.

5.3.8 Interface Buffer Board

1. With the unit turned off, disconnect the J1 and J2 connectors which attach the Interface Buffer to the main unit.
2. Remove the cover from the Interface Buffer.
3. Remove the 4 screws securing the board to the bottom cover.
4. Place new board in position and fasten it to the bottom cover with the 4 screws.
5. Replace the top cover.

5.4 Calibration Procedures

The Interface Buffer and the High Speed Board are calibrated during the manufacturing process. After service repair of one of the signal channels, it should be calibrated again in a known-good machine.

5.4.1 Interface Buffer Calibration

Remove the cover of the IB and connect J1 and J2 ribbon cables to the HSB. Turn the power on and wait for completion of the selftest. Select debug mode and run test 46 (Freq_bias_short). This may be run in looping fashion as well. Two offset values appear on the screen. They will be within + or - 10 when the IB is calibrated properly.

Resistor R57 determines the offset values. Trial and error selection of a value between 350K and 450K is the recommended procedure. First remove R57 so it is open circuit and gives a large negative offset value. Then connect jumper leads to U25 pin3 and U26 pin1 (these are the endpoints of R57). While test 46 is looping, connect various resistors to the jumper leads until an acceptable offset value is achieved.

5.4.2 High Speed Board Calibration

This section describes the HS Board fault mask calibration procedure, the preliminary conditions and the final criteria to be met to consider a board calibrated. The main requirement is that the absolute value of the offset for all pins be less than or equal to 4. Also described is the way to isolate faulty chips in some special cases related to fmask calibration.

5.4.2.1 Calibration Data Format

The calibration data printout consists of seven blocks. The first one's header is "Limits table", and this name will be used to refer to the block.

The rest have a common header: "F_MASK offset table". These blocks will be referred to with their individual headers: "duration 40 ns", "duration 80 ns" up to "duration 240 ns" or simply "40 ns", "80 ns", etc.

Each block consist of five columns, the first being pin number, the other four being "offsets". In other words, each pin has four offsets labeled U-H, D-H, U-L, D-L.

NOTE: The first two columns in Limits Table Block are meaningless and should be ignored.

5.4.2.2 Calibration Standards

The main condition standard is that the absolute value of the offset for all pins should be less or equal to 4. A board that fulfills this condition and passes all tests in the selftest is considered calibrated and does not need any further adjustments.

NOTE: the first block (Limits table) does not need to fulfill this condition if all other blocks are OK.

In each block, the line with the biggest offset is marked with a ">" character so only such lines need to be checked. This rule does not apply to limits table block which has to be checked line after line if needed.

5.4.2.3 HSB Component Placement

There are seven white rectangles outlined on the HS Board that are called F1,F2,...,F7. F1 is located at the bottom, then F2 and so on. Within each rectangle there are four identical fields designated UB1, UB2, UB3, UB4. A 74ALS09 chip is placed between UB2 and UB3. Each UB field has a place for an additional resistor and capacitor (see fig. 1). Whenever the word "resistor" or "capacitor" is used in this section, it relates to these additional components. The words channel, line and pin are used to mean one of the 28 signal paths.

The following table relates the 28 channels to the components in the UB fields.

<u>Area</u>	<u>UB1</u>	<u>UB2</u>	<u>UB3</u>	<u>UB4</u>
F7	1	27	28	2
F6	4	24	26	3
F5	5	23	25	6
F4	20	9	22	7
F3	21	19	10	8
F2	16	12	18	11
F1	15	13	17	14

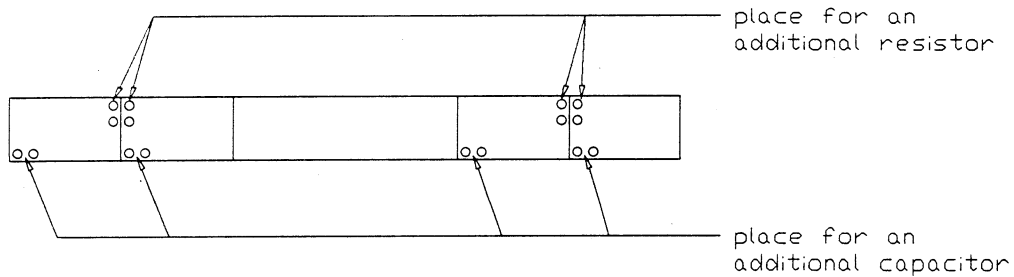


fig. 1

5.4.2.4 The Offset Shift (OS) Definition

For any line that needs to be corrected the necessary shift should be determined. The general rule is: if there are excessive negative offsets a resistor will be put on this line, and if there are excessive positive offsets a capacitor will be used.

OS should be calculated for the calibration data block that has the biggest offset for a given channel.

NOTE:Limits table cannot be used for OS calculation.

The OS calculating procedure is explained with the two following examples.

5.4.2.4.1 Example 1 (for negative offsets)

Assume line 3 has the biggest offset in 80 ns block.

..80 ns..

pin#	U-H	D-H	U-L	D-L
.
3	-3	-4	-5	-7
.

The biggest offset is D-L. It has to be moved up 3 units to make it -4 and therefore within spec. All other offsets will be moved by the same amount, therefore U-H will be 0. The best situation, however, is when there is a safety margin at the top and the bottom. In this case all offsets should be moved up by 5 units. Then after correction it would be:

...80 ns..

pin#	U-H	D-H	U-L	D-L
.
3	+2	+1	0	-2
.

According to table 1 in Section 5.4.2.5, a 47K resistor should be used (it gives OS 5). Other blocks will be also affected by this resistor. Therefore, all of them have to be checked to determine whether they are still within specification. If any block is pushed out of spec with this resistor (for example if 240 ns has offset 0 it will be 4 after correction) the OS calculation procedure has to be repeated. OS is acceptable if all blocks are within +4 margin after correction.

If the OS and resistor cannot be defined (if the smallest possible OS in one block pushes another one out of spec) go to Section 5.4.2.6.2.

5.4.2.4.2 Example 2 (for positive offsets)

Assume line 5 has the biggest offset in 160 ns block.

..160 ns..				
pin#	U-H	D-H	U-L	D-L
.
5	+3	+4	+6	+6
.

The biggest offset are D-L and U-L. They have to be moved down 2 units to make it +4. Offsets should be moved down by 5 or 4 in order to create the safety margins as in the previous example. If we choose 4 (either of the two values may be selected) it will be:

..160 ns..				
pin#	U-H	D-H	U-L	D-L
.
5	-1	0	+2	+2
.

The needed capacitor can be found using table 2 in Section 5.4.2.5. It is 3.3 pF. All other blocks should be now checked as described in 5.4.2.4.1.

If the OS and capacitor cannot be defined (if the smallest possible OS in one block pushes another one out of spec) go to Section 5.4.2.6.2.

5.4.2.5 The Correcting Component Definition

If a pin has an excessive positive offset, a capacitor has to be added. In case of a too large negative offset a resistor should be used.

The value of the component to be added can be defined with the following tables:

NOTE: All values in the following tables are only approximated; the tolerance is +/- 1.

TABLE 1
Offset Shift

Fluke P/N

R	40	80	120	160	200	240	
365k	0	0	0	1	1	1	921168
150k	1	1	2	2	3	3	921171
113k	1	2	2	3	4	4	921176
86k	2	2	3	4	5	5	921184
57k	3	4	5	6	6	7	921189
47k	4	5	6	6	7	8	921192

TABLE 2
Offset Shift

Fluke P/N

C	40	80	120	160	200	240	
1.0pF	1	1	1	2	2	2	921197
1.5pF	1	1	2	2	3	3	921200
1.8pF	1	1	2	3	3	3	921205
2.2pF	2	2	3	3	4	4	921213
3.3pF	2	3	3	4	4	5	921218
4.7pF	2	3	4	5	6	6	921221
6.8pF	3	4	6	6	7	8	921226

NOTE: All the offsets in Table 2 are meant as negative (i.e. they must be subtracted from the values in the calibration data printout).

5.4.2.6 Calibration Procedure

As a preliminary condition, the HS Board must pass all selftests with the exception of tests 28 through 40 which are related to the calibration.

Unless otherwise specified all points in the following procedure should be performed in the order stated. First load the calibration data as follows:

- Go to engineering menu: start from the main screen and press **CNTR** and the point between **NEXT** and **TEST**.
- Go to calibration mode: press **F3(calib)** .
- Press **F1(f_mask)** and wait until the loading of data is done.
- Print calibration data to a printer connected to the serial port by pressing **F3(print)**. The data may also be displayed on the LCD display by pressing **F3(show)** .

NOTE: Do not touch HS Board during loading of calibration data.

5.4.2.6.1 Offsets Block

All pins that have offset (one or more) bigger then 4 (positive or negative) should be corrected following the steps:

A - Define OS and component for all pins that need correction (see Section 5.4.2.4).

B - Place all components determined in step A on the board on related lines and then load calibration data again (see Section 5.4.2.6).

C - Press **F3(show)** to display the data. Using "SHIFT" and "arrow down" keys, check the data (see Section 5.4.2.2); if there are still lines that need correction, do it the same way as described in step A, with one difference: the offset shift should be selected to be the minimum required with no safety margin.

If after these steps the board is still not calibrated go to Section 5.4.2.6.2

5.4.2.6.2 Limits Block

This block is related to the 74ALS09 chips that are located in F1, F2 etc. areas. There is only one such chip in each area.

Only two columns are relevant: U-L and D-L. The conditions they have to fulfill are as follows:

- each offset should be equal to -2,-1,0,1,2
- the difference between the lowest and the highest offsets should be 2 or less.

Example:

pin#	U-L	D-L
	.	.
	.	.

2	-2	-1
	.	.
15	0	1
	.	.

(U-L for pin 2) - (D-L for pin 15) = -2 -1 = -3 (failure)

This means that one of the 74ALS09 chips in F1 or F7 may have the saturation voltage at its output (Vol) too small or too big compared to the rest of '09s. The Vol can be measured by disabling Clip Check and RD Test and running a continuous test. From the main screen, proceed as follows:

- Press **F1**(manual) to go into Manual Mode
- Select a 28 pin device. Press **F1**(local) **ETC** **F1**(size) **2** **8** **ENTER** .
- Set t_time to continuous. Press **ETC** **F1**(t_time) **F2**(cont.) **ENTER** .
- Press **ESC** to go back to the Manual menu.
- Disable RD Test. Press **ETC** **F3**(rd) **F2**(rdt_off) **ESC** .
- Disable Clip Check. Press **F4**(clip) **F2**(clip_chk) **F1**(on/off) **ENTER** **ESC** .
- Insert a 28 pin Test Clip into the Interface Buffer and press **TEST** .
- Measure, with a DVM, the voltage on the 74ALS09 outputs (it is enough to measure only one output per chip). Note that, for lines 14 and 28, the voltage will be zero because these are power supply lines for the 28 STD size).

74ALS09 chips are classified at the factory according to Vol rating and marked with a colored dot as follows:

<u>Vol (mV)</u>	<u>group</u>	<u>marker</u>
96 - 135	A	white
136 - 174	B	orange
175 - 212	C	green
213 - 251	D	blue
252 - 290	E	red
291 - 329	F	brown

Although these ranges cover all the possible values listed by vendors, it has been found that the normal range of Vol is from 136 to 212. All machines built up to the end of 1992 have 74ALS09 devices with orange or green dot markings.

All 74ALS09 chips on the board have to be from the same group, so the device with Vol too big or too small must be replaced with a properly rated 74ALS09.

After replacement, the calibration procedure should be restarted. If there is no need to replace a chip, go to Section 5.4.2.6.3

5.4.2.6.3 Selftest buffer and 86 gate related condition

The channels with a ">" character in any block should be checked to see if they meet the following conditions:

Check if $\text{abs}((U-H) - (U-L)) = 0,1,2,3,4,5$
 $\text{abs}((D-H) - (D-L)) = 0,1,2,3,4,5$
 $\text{abs}((U-H)-(U-L)-(D-H)+(D-L)) = 0,1,2,3,4,5$

If not, it means that for some reason there is too large a difference between the propagation time for a rising and falling edge from point A to point B (see fig. 2).

SELFTEST BUFFER

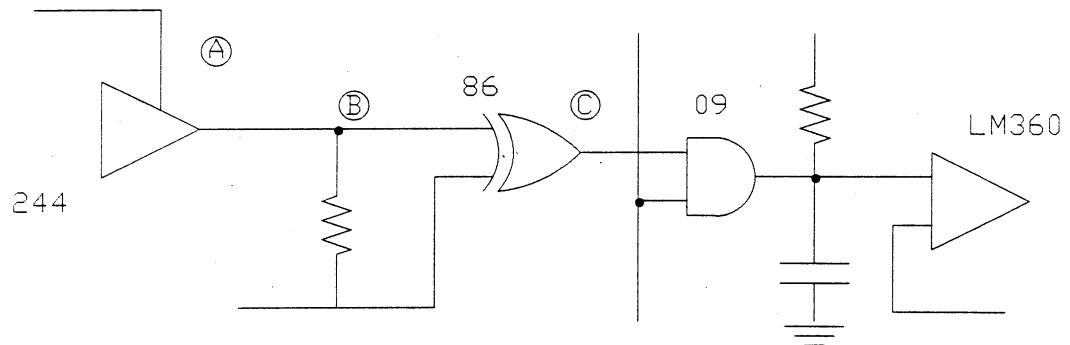


fig.2

The difference may be caused by one of the following:

- selftest buffer 74AS244
- logic comparator 74AHCT86

A bad component may be isolated with an oscilloscope as follows:

Scope setup:

chan A - 1 V/div
 B - 1 V/div
 timebase - 10 ns/div (100 ns/div and x10 scale)
 horizontal
 marker - + 1.4 V

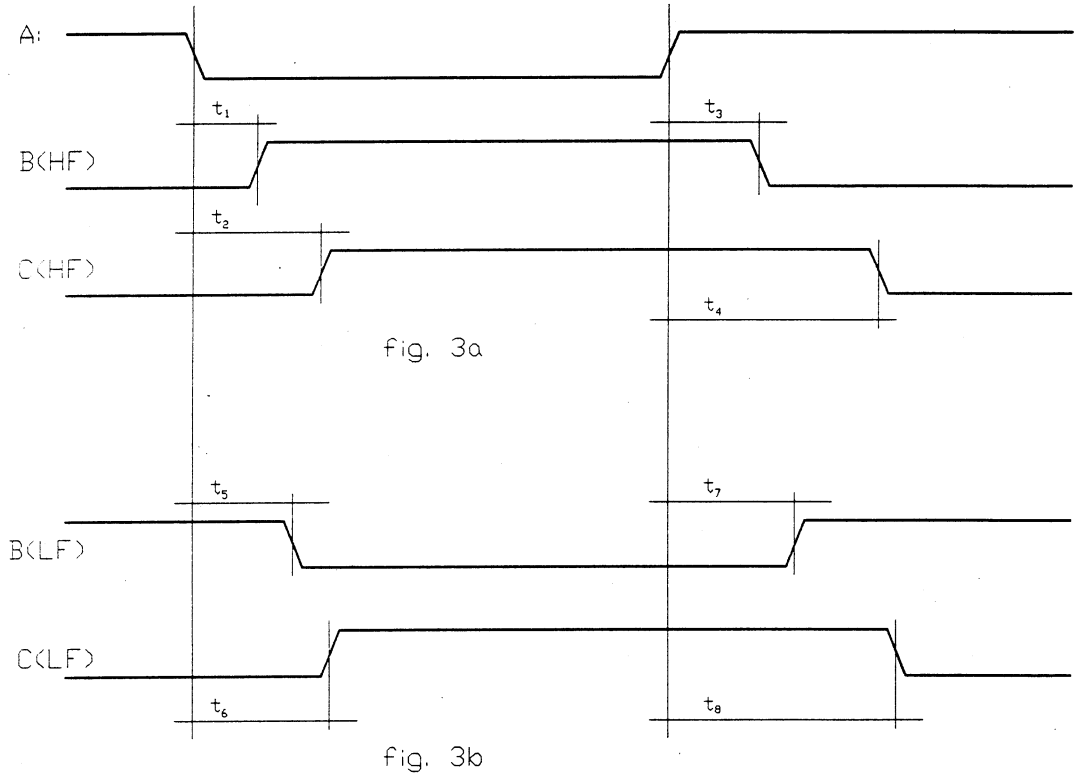
Fluke 900 setup:

Bring up the F_Mask Calibration menu. From the main screen, press **⏏** and the hidden key found at the point between **⏏** and **TEST**. Press **F5**(calib) **F1**(f_mask).

- Connect probe A to the enable input on any 74AS244 selftest buffer (pin 1 or 19) and GND lead to the GND pin of this chip (pin 10).
- Connect probe B to the output of a buffer on this chip and the probe's GND lead to pin 10.
- Press **F2**(h_fault) and measure t1 and t2 as indicated on figure 3a. Next, connect

probe B to the output of a related '86 gate and measure t3 and t4.

- Press any key to abort the looping activity. Press F4 (1_fault) and measure t5, t6, t7, t8 as indicated on figure 3b. Pressing any key aborts the looping activity.



Calculate the following values:

$$A = \text{abs}(t_1 - t_5)$$

$$B = \text{abs}(t_2 - t_6)$$

If $A > B$ then 74AS244 generates too big an offset and should be replaced.

If $A < B$ then 74AHCT86 is faulty and should be replaced.

If $A = B$ then calculate new values:

$$A = \text{abs}(t_3 - t_7)$$

$$B = \text{abs}(t_4 - t_8)$$

Now, if $A > B$ then 74AS244 generates too big an offset and should be replaced.

If $A < B$ then 74AHCT86 is faulty and should be replaced.

If $A = B$ any of them may be replaced.

The calibration procedure should then be restarted.

5.4.2.6.4 LM360 comparator related condition

Each pair of columns in the calibration results should differ by no more than 1. As an example:

..160 ns..

pin#	U-H	D-H	U-L	D-L
5	-1	0	+2	+2

Check that $(U-H) - (D-H) = 0$ or ± 1 and
 $(U-L) - (D-L) = 0$ or ± 1

If not, the LM360 comparator on this line is faulty and should be replaced. The calibration procedure should be restarted from the beginning.

5.5 Board Revisions, Upgrades and ECOs

This manual documents all 900 units with serial number 4720000 and above. Units with lower serial numbers are documented in a two volume Service Manual (part numbers 859413, 880195). The boards in such machines are designated IB, MB, M1, M2 and H1.

The table below lists the boards and ECOs applicable to the 900 revision level described in this manual.

BOARD	REVISION PCB #	APPLICABLE ECOs
Interface Buffer (IB)	300-506C	none
High Speed Board (HS2)	300-508-2	HS2 has factory-installed ECOs which make it equivalent to HS3
High Speed Board (HS3)	300-508-3	none
Micro Board (MB2)	300-507-2	ECO-016, ECO-018

5.5.1 Modification to MB for 64k Cartridges

ECO-016

This connects the 16th address line to the cartridge port.

Install wire from U9 pin 17 to J8 pin 5.

ECO-018

This connects the 16th address line to the cartridge buffer.

Install wire from U9 pin 3 to J6 pin 30.

5.5.2 900 System Firmware

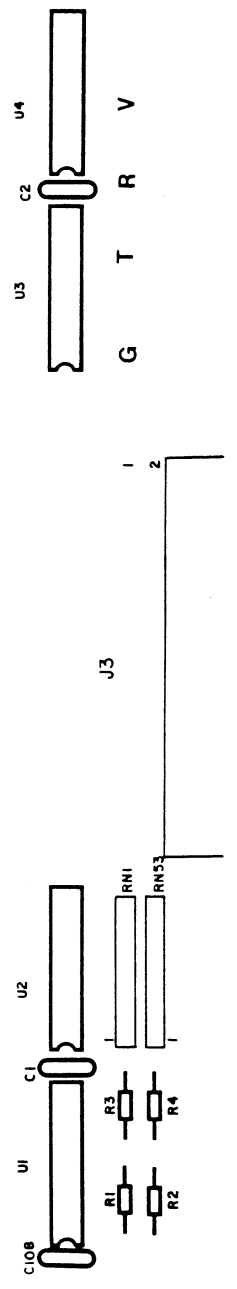
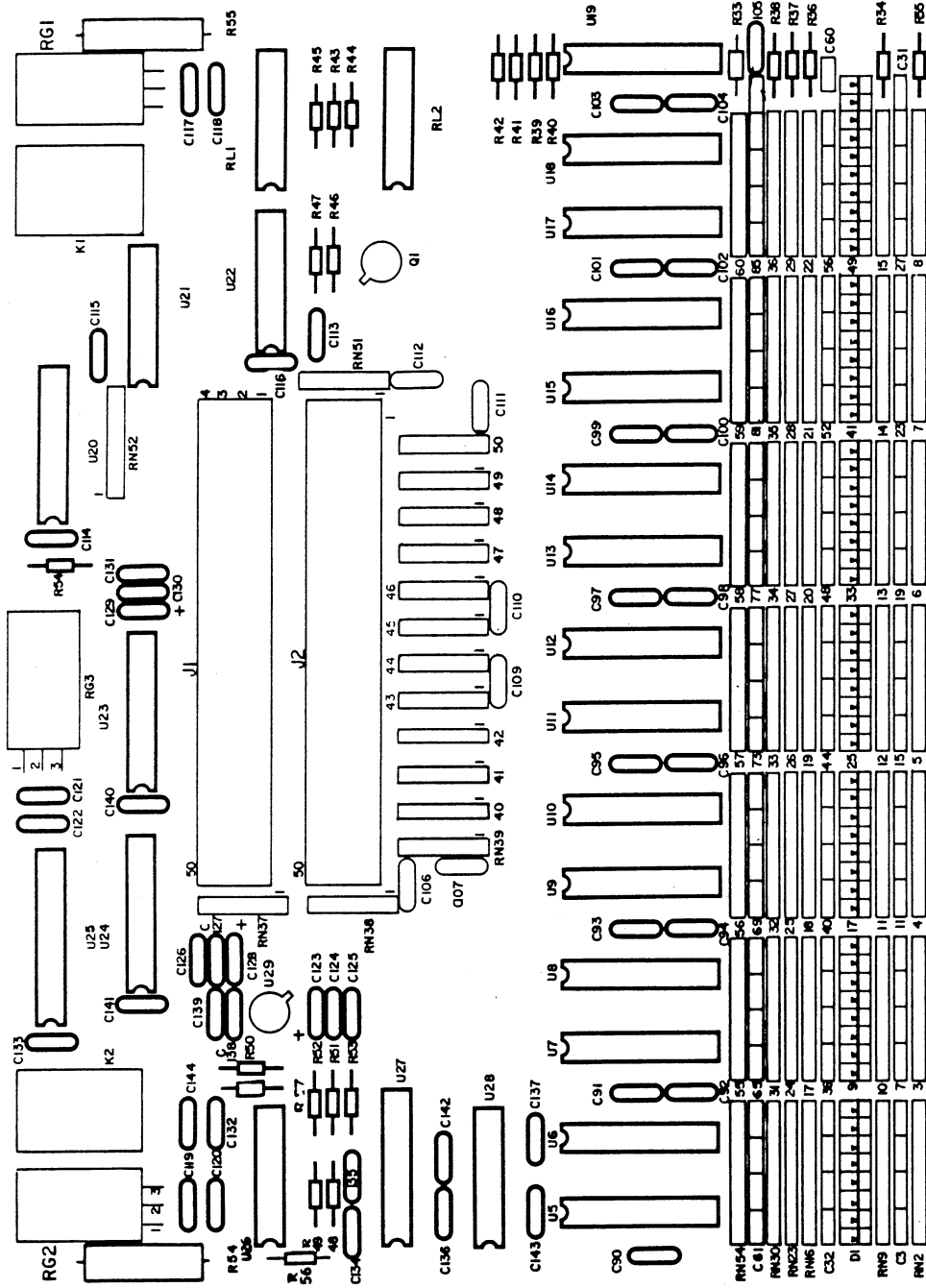
The version of the 900 documented in this manual requires firmware level 5.00 or higher. At the end of 1992, the most current firmware was 6.00 . Refer to Section 5.2.3 for instructions on upgrading firmware.

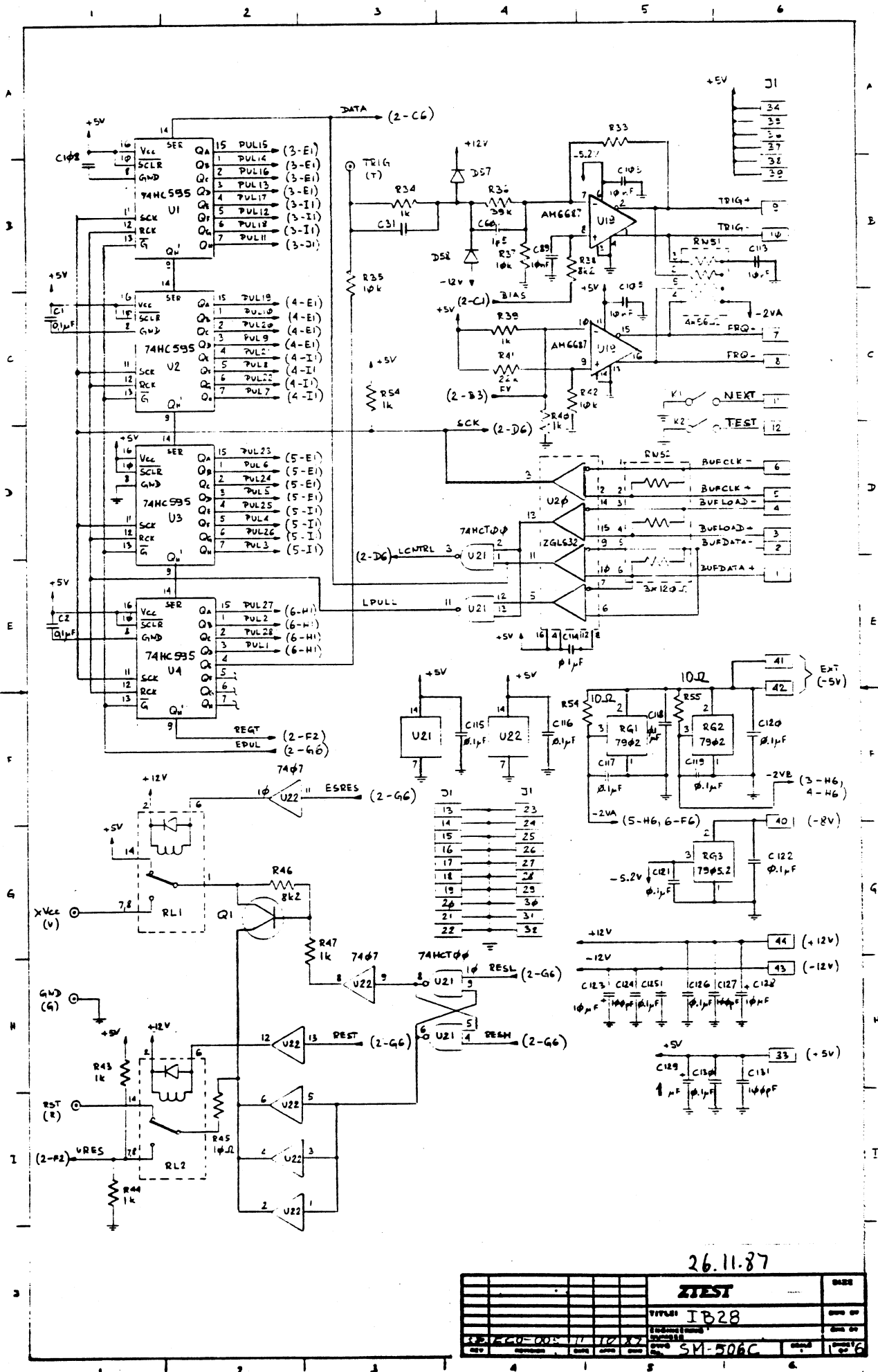
This page intentionally left blank.

6 Schematics

6.1 INTERFACE BUFFER - IB

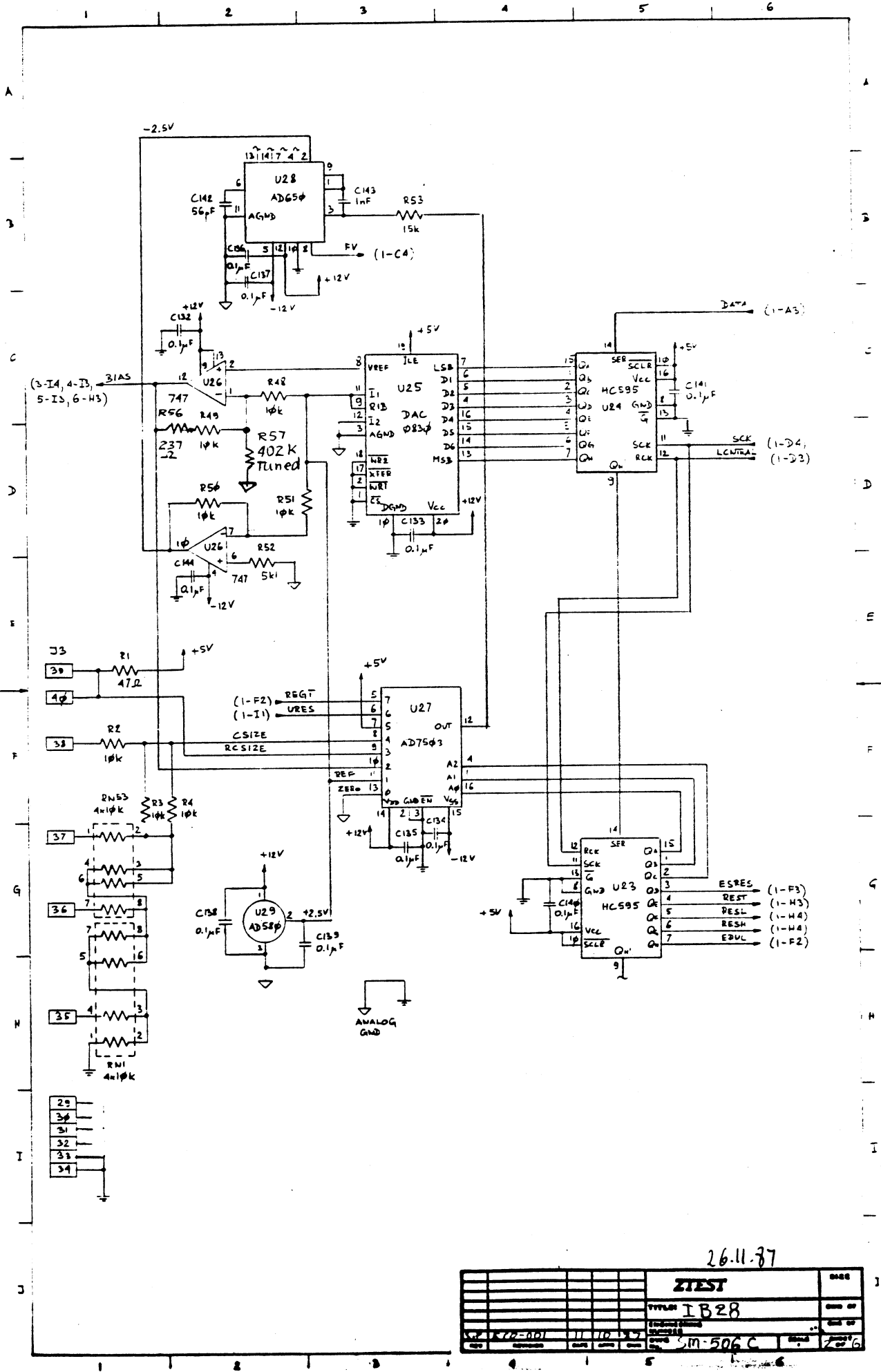
1 Layout Page
6 Schematic Pages





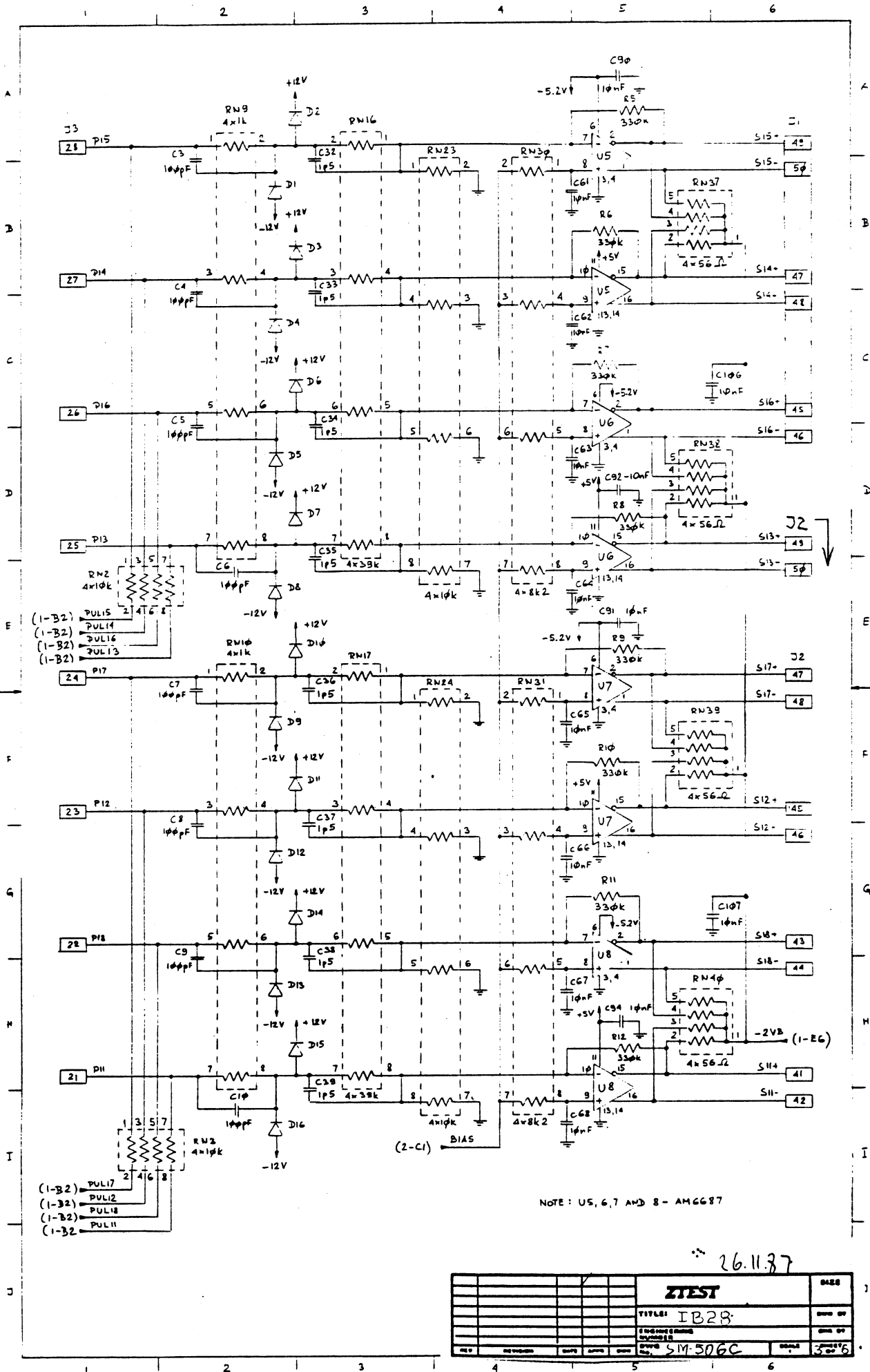
26.11.87

ZTEST		DATE
TITLE:	IB28	
DESIGNER:		
CHECKED:		
DATE:	SM-506C	12/86



26.11.87

ZTEST		DATE
TITLE IB28		REV
DRAWN		DATE
CHECKED		DATE
APPROVED		DATE
REV 1	11/11/87	BY
S.M. 506 C		20/86



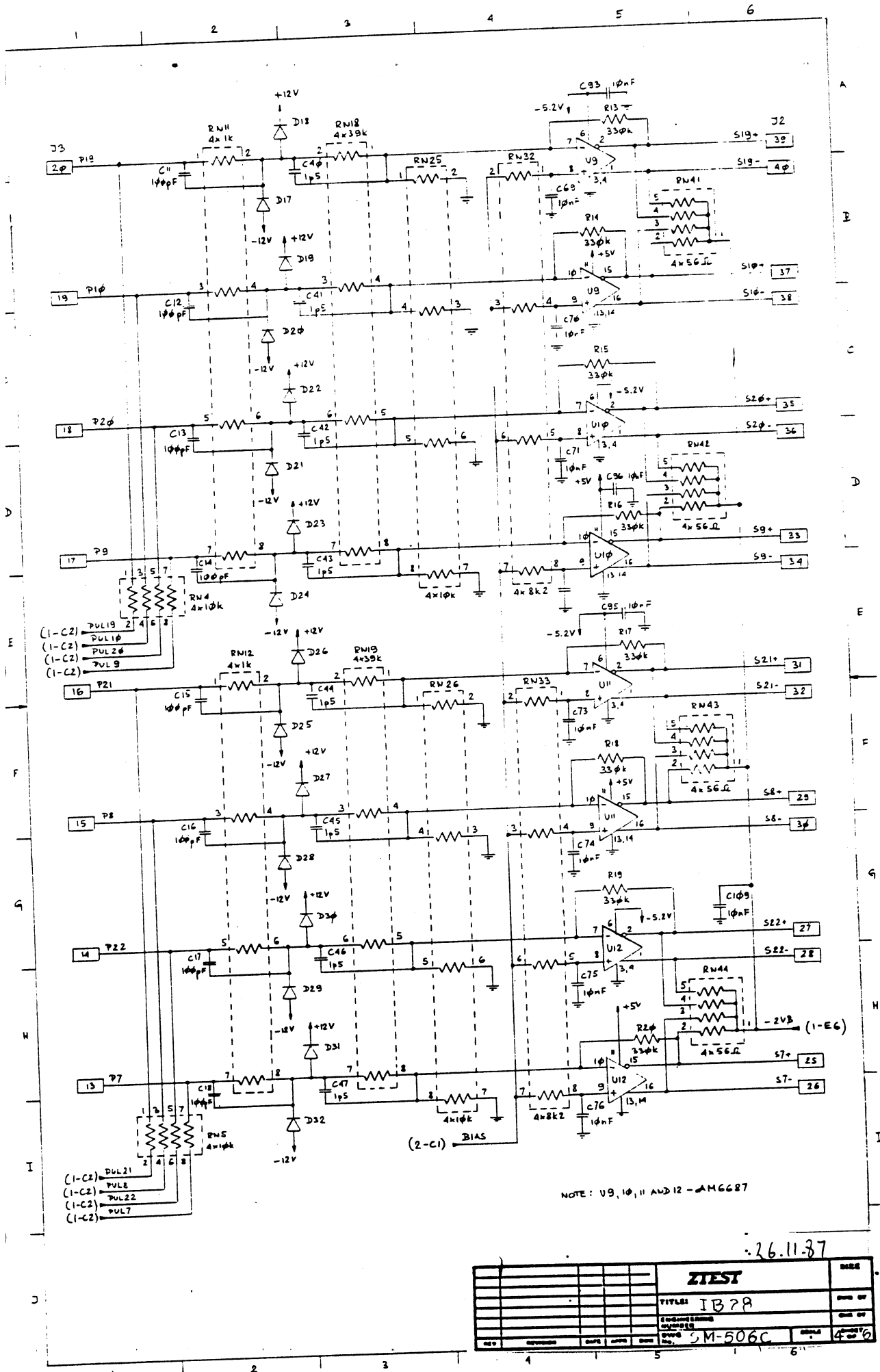
(1-32) PUL15
 (1-32) PUL14
 (1-32) PUL16
 (1-32) PUL13

(1-32) PUL17
 (1-32) PUL12
 (1-32) PUL18
 (1-32) PUL11

NOTE: U5, 6, 7 AND 8 - AM6687

26.11.87

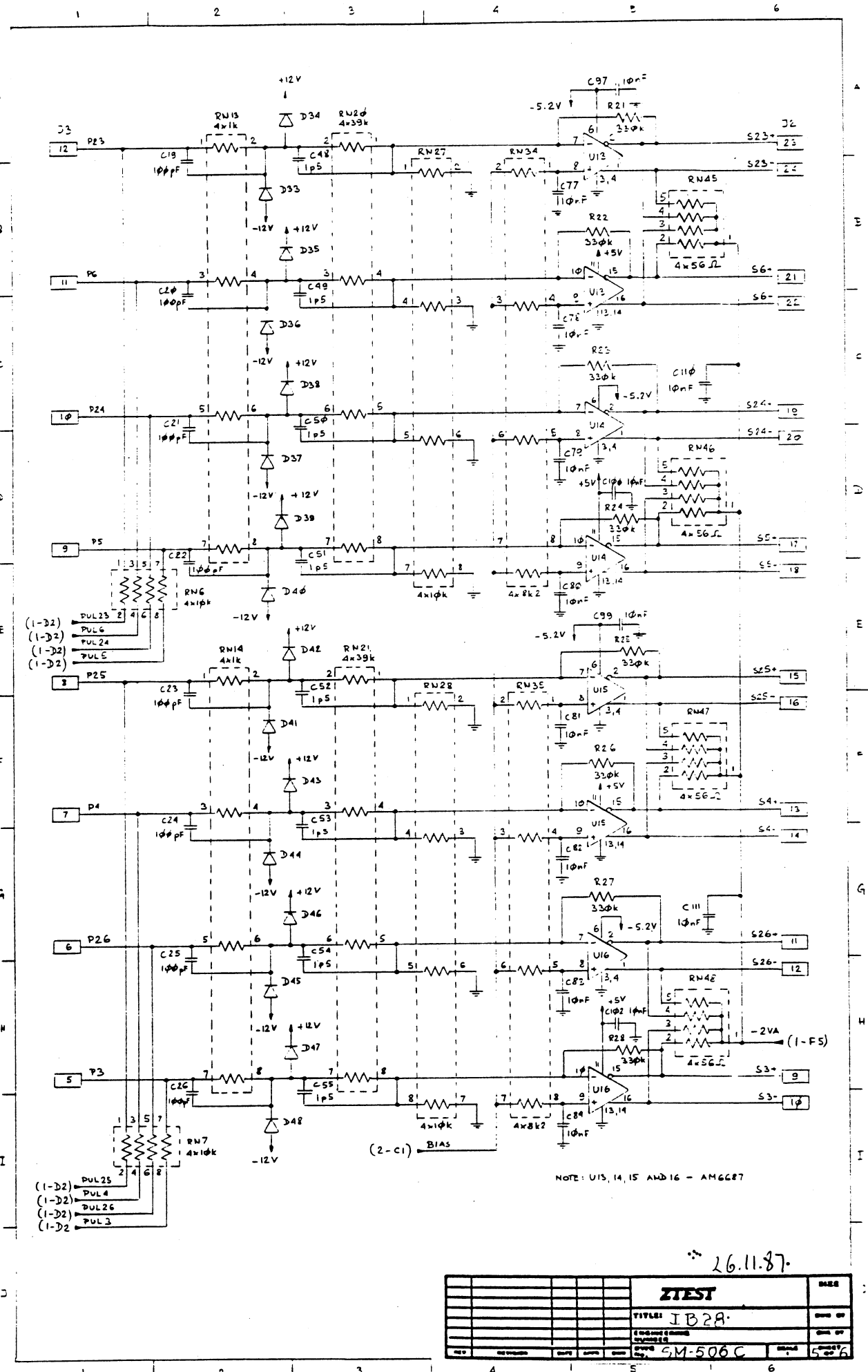
ZTEST		DATE
TITLE: IB28		DATE OF
DRAWN BY: SM-306C		DATE OF
REV	REVISION	DATE



NOTE: U9, 10, 11 AND 12 - AM6687

26.11.37

ZTEST		DATE
TITLE:	IB78	DATE OF
DESIGNED BY:		DATE OF
CHECKED BY:		DATE OF
APP'D BY:	SM-506C	DATE OF
REV		DATE



- (1-D2) PUL23
- (1-D2) PUL6
- (1-D2) PUL24
- (1-D2) PUL5

- (1-D2) PUL25
- (1-D2) PUL4
- (1-D2) PUL26
- (1-D2) PUL3

NOTE: U13, 14, 15 AND 16 - AM6687

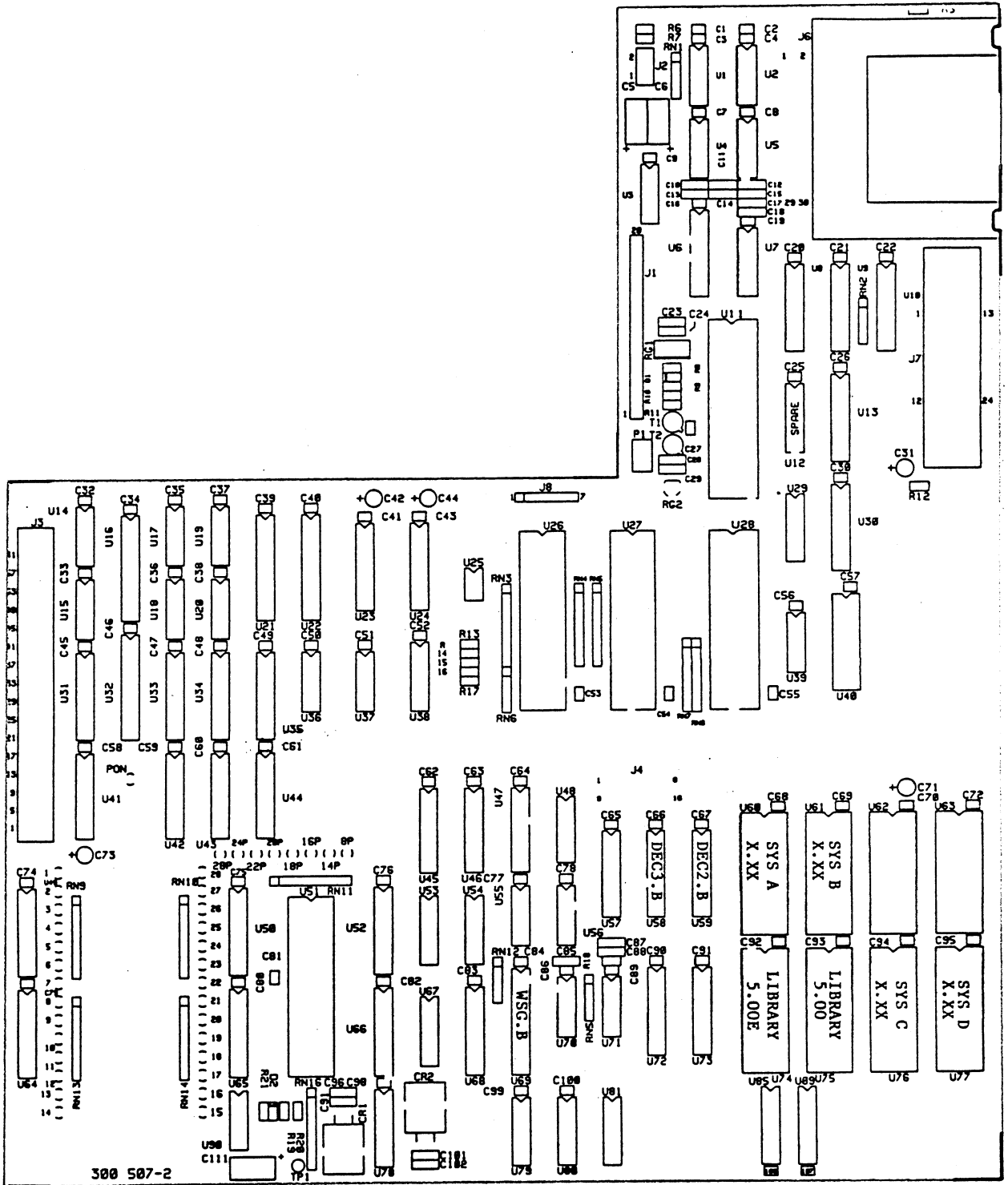
26.11.87

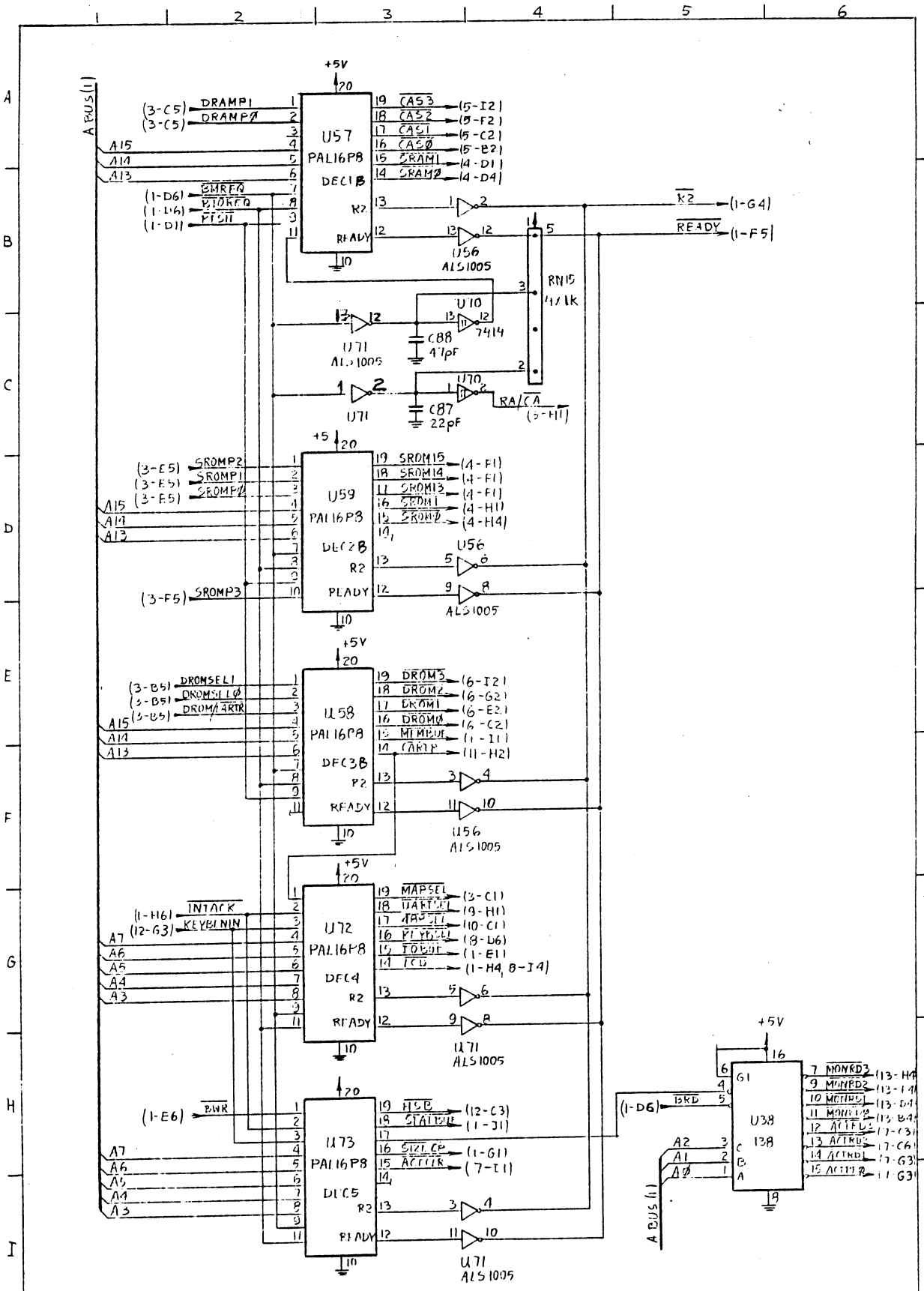
ZTEST		DATE
TITLE: IB2A		REV OF
DRAWN BY: SM-506C		REV OF
CHECKED BY:		REV OF
APPROVED BY:		REV OF
DATE: 26.11.87		REV OF

6.2 MICRO BOARD - MB rev.2 (M2)

1 Layout Page

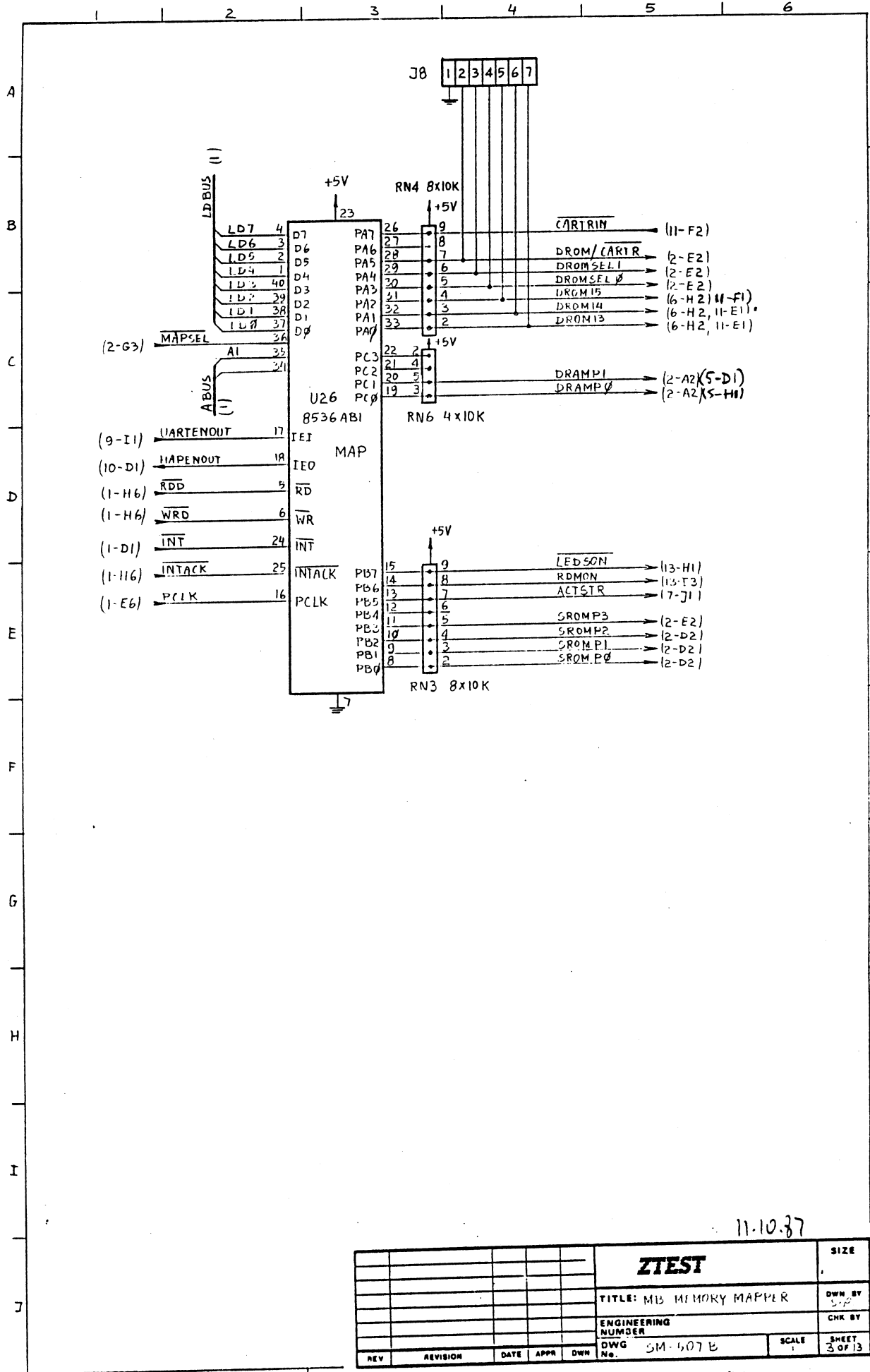
13 Schematic Pages





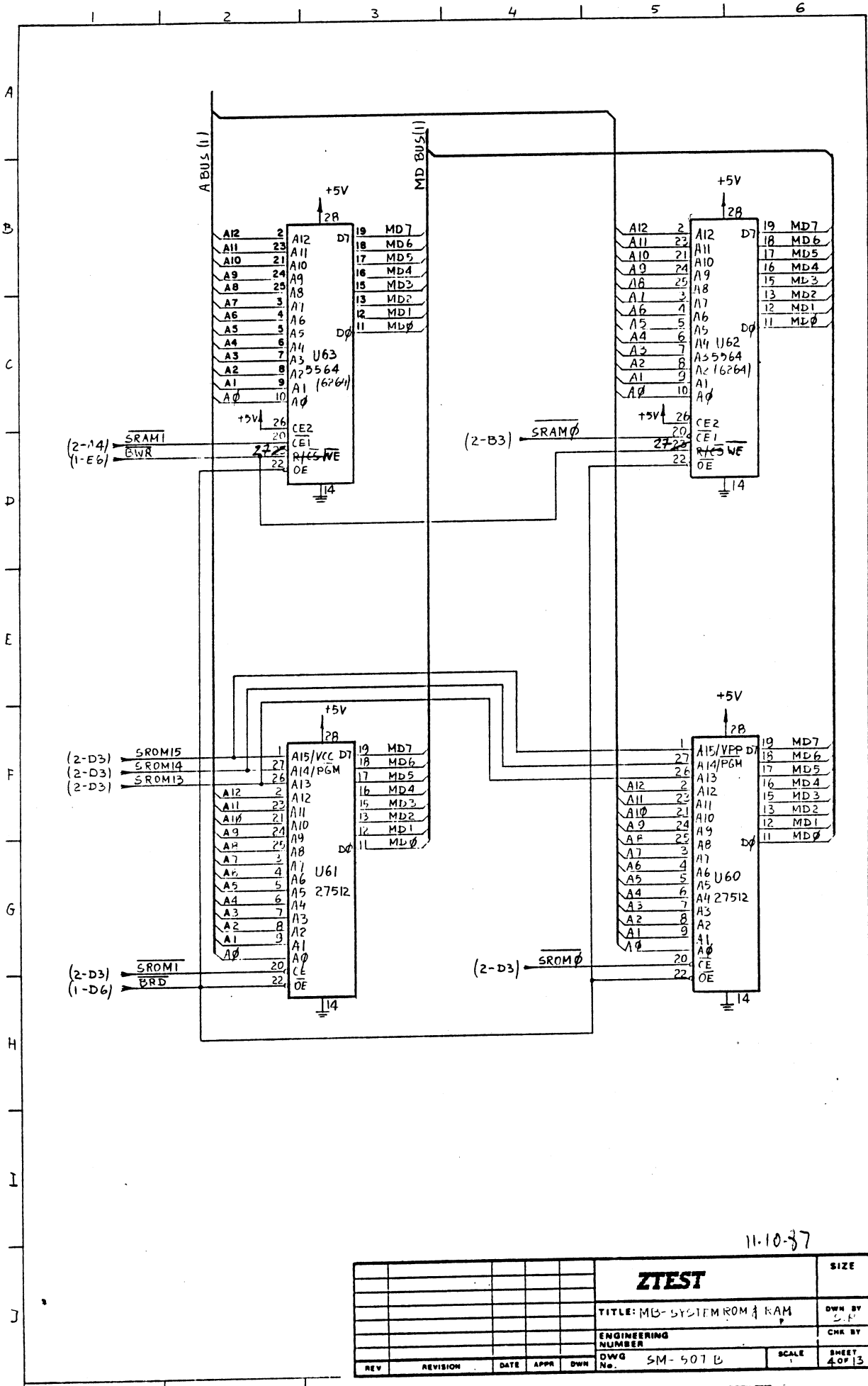
11.10.87

ZTEST						SIZE
TITLE: MEMORY AND I/O IN CODES						OWN BY
ENGINEERING NUMBER						CHK BY
DWG No. 54 501B						SCALE
REV						SHEET 2 OF 13
REV	REVISION	DATE	APPR	OWN		



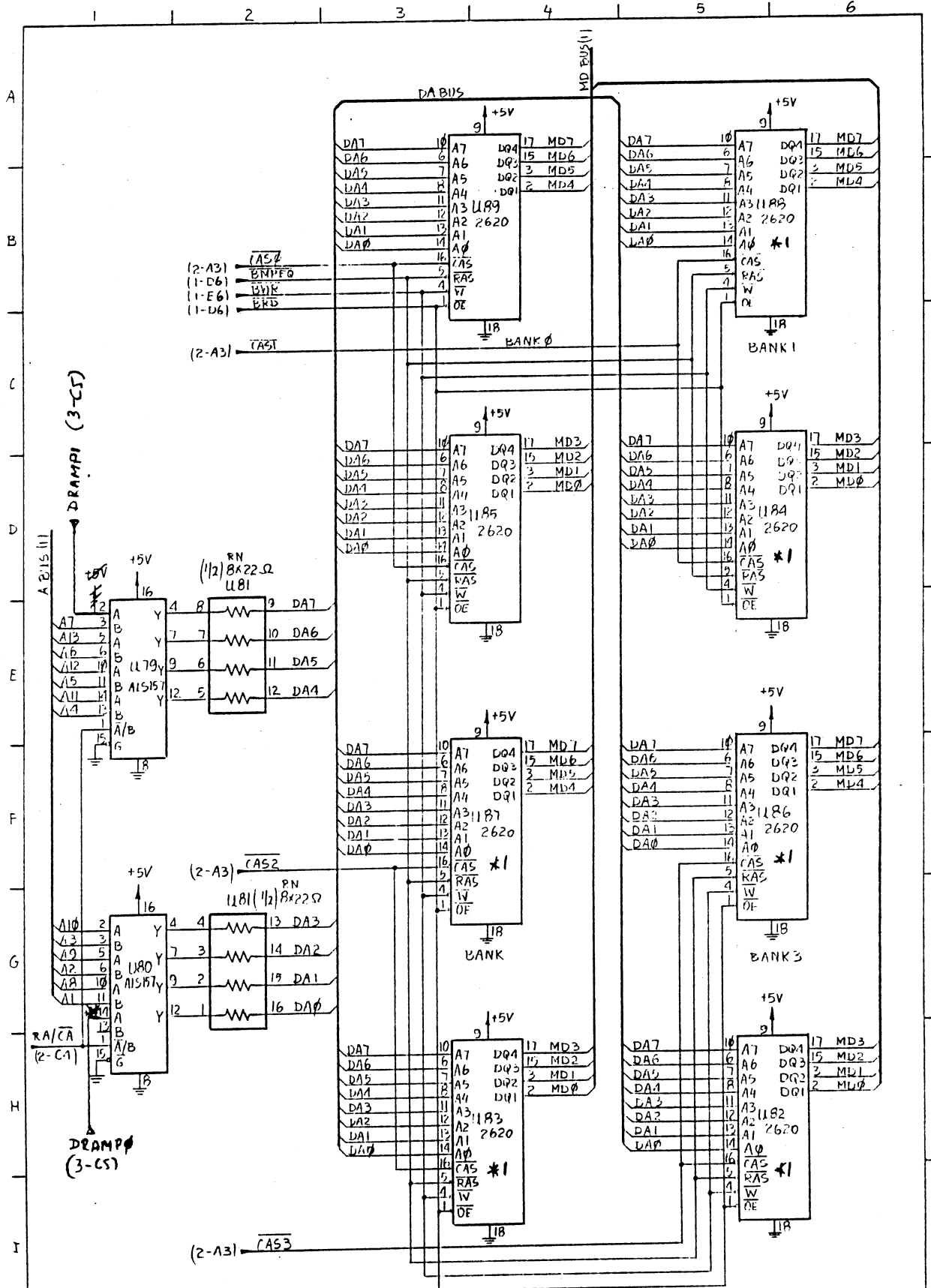
11-10-87

ZTEST						SIZE
TITLE: MB MEMORY MAPPER						DWN BY S.P.
ENGINEERING NUMBER						CHK BY
DWG No. SM-607E						SCALE
REV	REVISION	DATE	APPR	DWN	No.	SHEET 3 OF 13



11-10-87

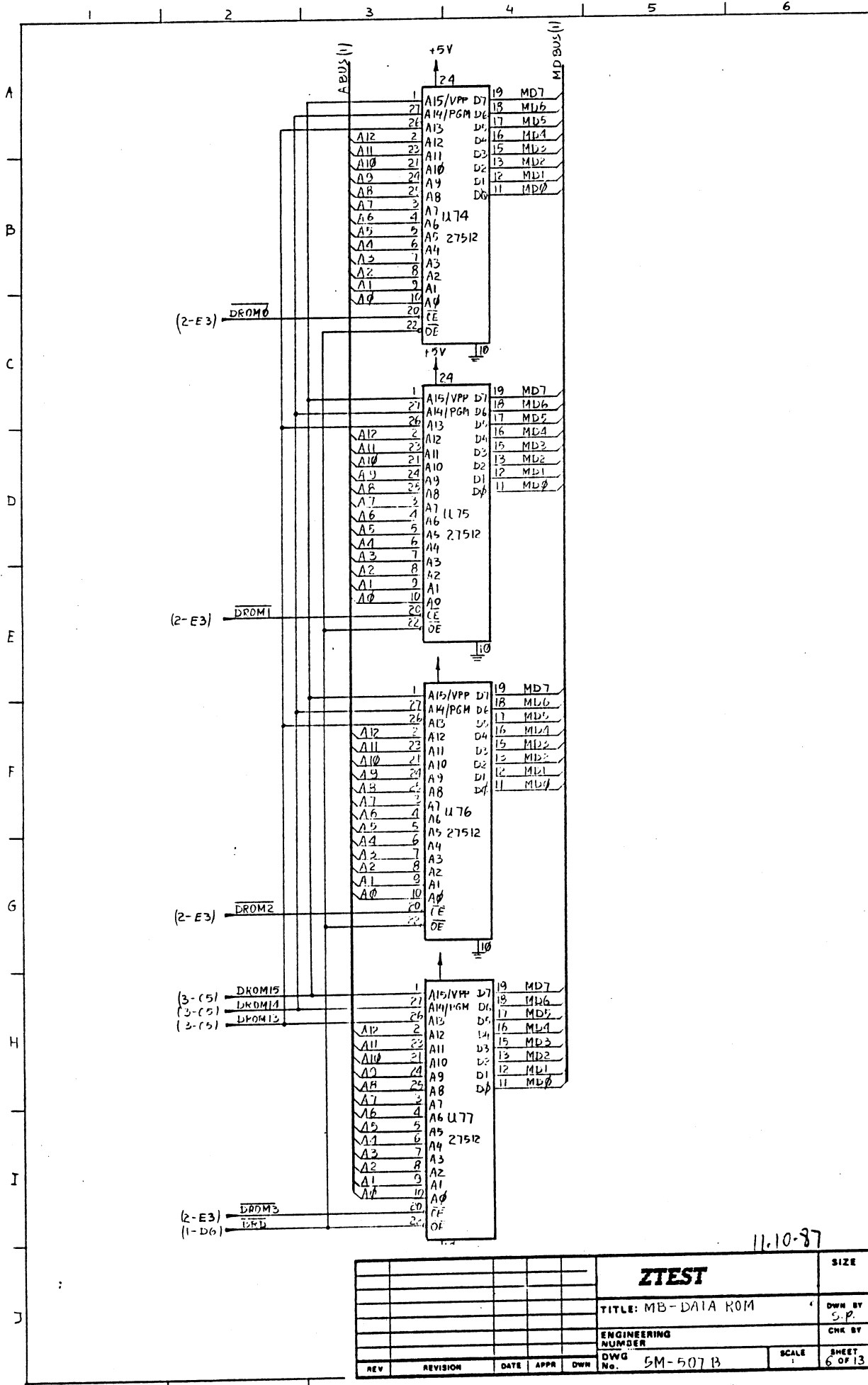
						ZTEST		SIZE
						TITLE: MB-SYSTEM ROM & RAM		DWN BY S.F.
						ENGINEERING NUMBER		CHK BY
REV	REVISION	DATE	APPR	DWN	DWG No.	SM-907 B	SCALE	SHEET 4 OF 15



*1 - NOT INSTALLED WHEN
U85 & U89 ARE 64Kx4

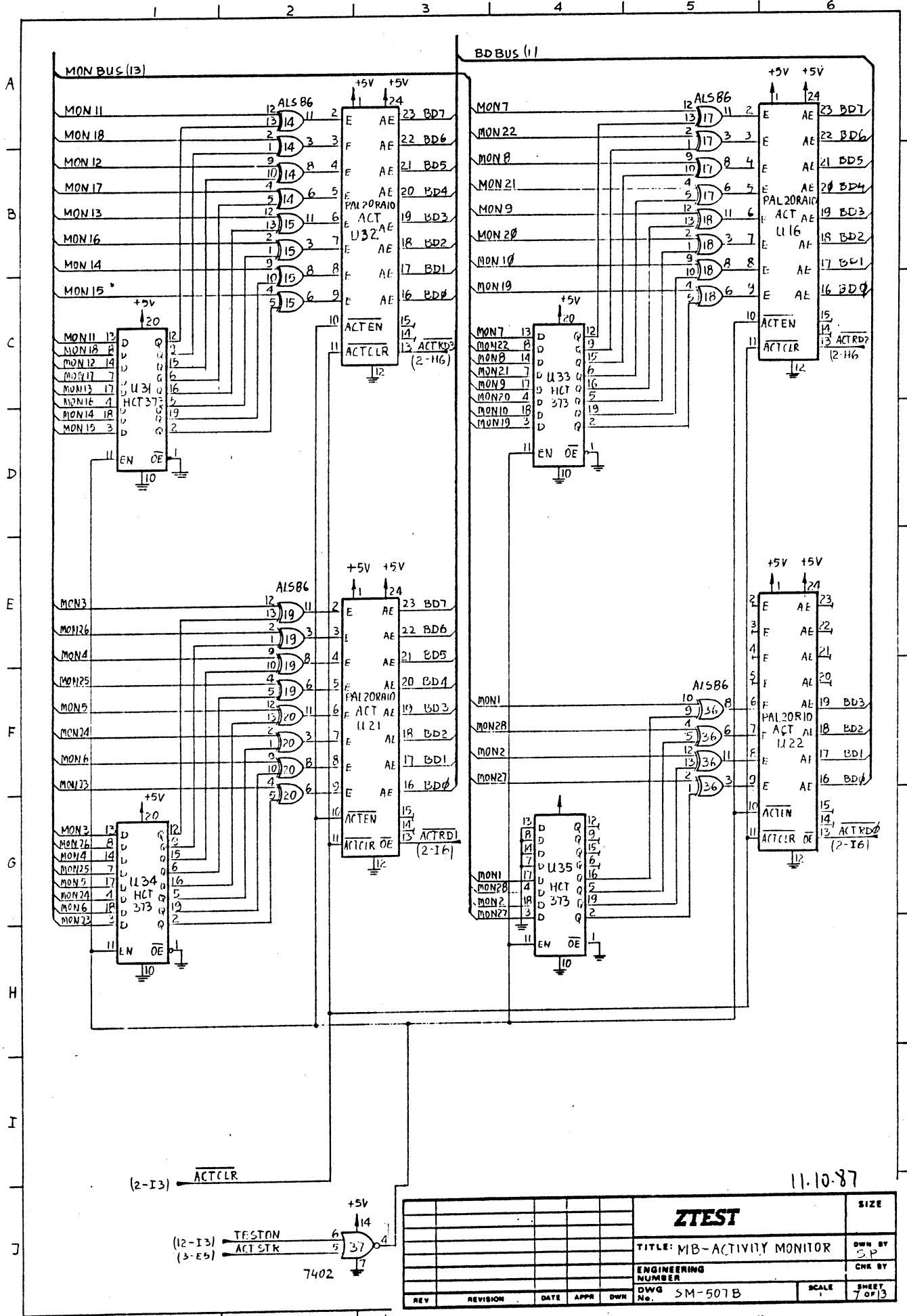
11 10-87

						ZTEST		SIZE
						TITLE: MB-DYNAMIC RAM		DWN' BY S.P.
						ENGINEERING NUMBER		CHK BY
						DWG No. SM-507B		SCALE
REV	REVISION	DATE	APPR	DWN			SHEET	
							5 OF 13	



11.10-87

					ZTEST		SIZE
					TITLE: MB-DATA ROM		DWN BY S.P.
					ENGINEERING NUMBER		CHK BY
					DWG No. 5M-507 B		SCALE
							SHEET 6 OF 13
REV	REVISION	DATE	APPR	OWN			



11.10.87

REV	REVISION	DATE	APPR	OWN	DWG No.	SCALE	SHEET
					SM-507B		7 of 13

ZTEST

TITLE: MB-ACTIVITY MONITOR

ENGINEERING NUMBER

DWG No. SM-507B

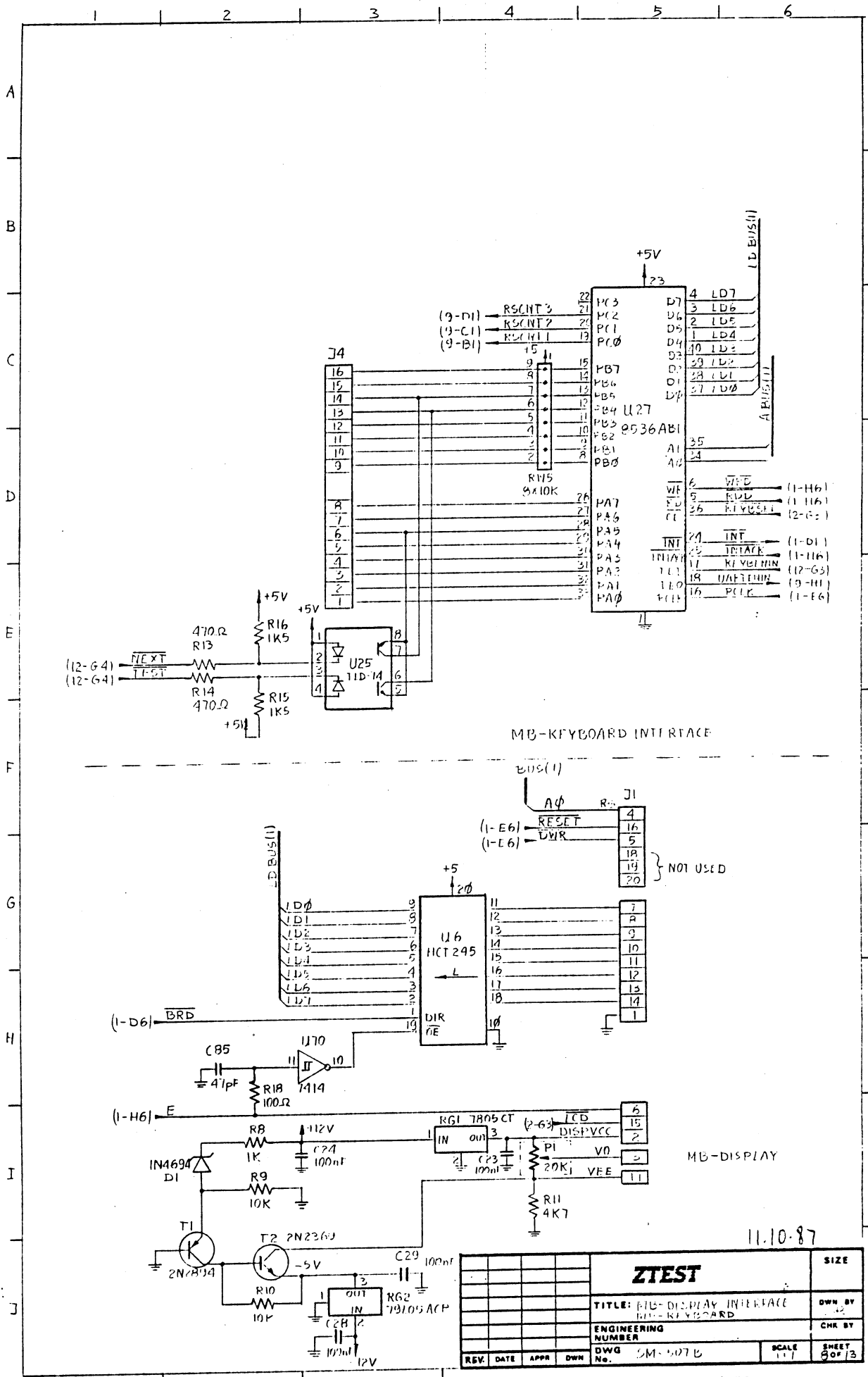
SCALE

SHEET 7 of 13

SIZE

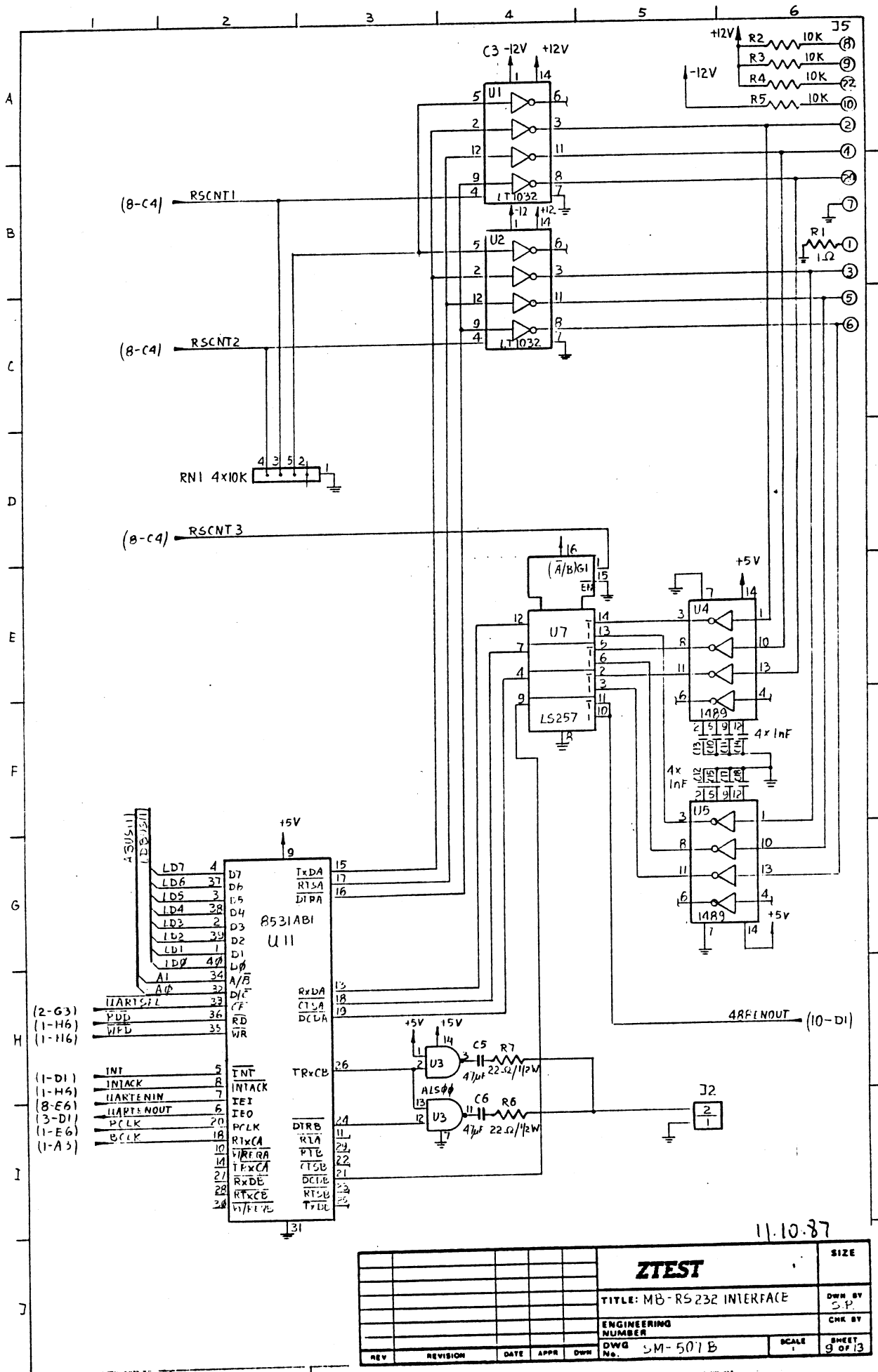
OWN BY S.P

CNR BY



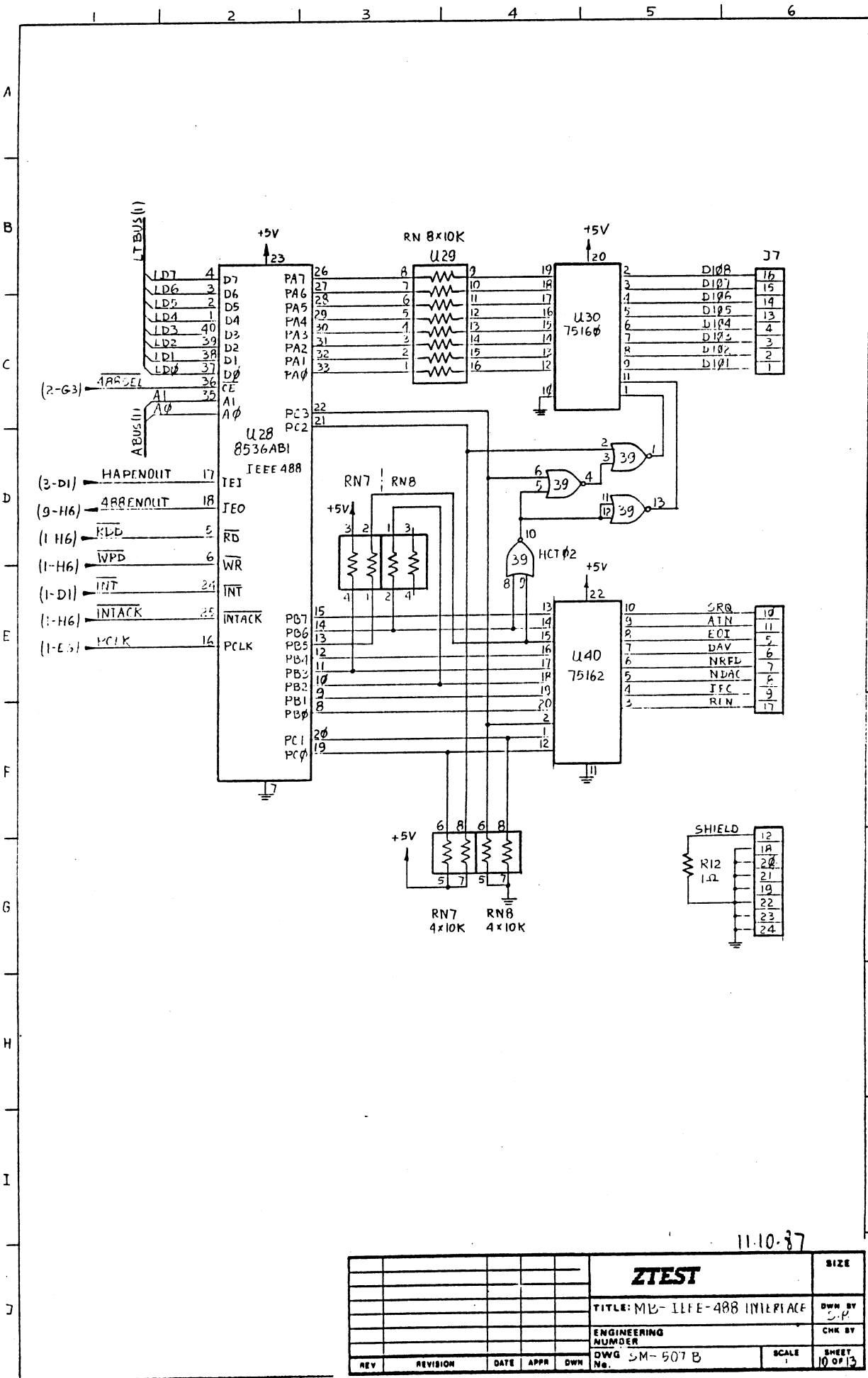
11.10.87

ZTEST				SIZE
TITLE: MB-DISPLAY INTERFACE				DWN BY
MB-KYBOARD				CHR BY
ENGINEERING NUMBER				
REV.	DATE	APPR	DWN	DWG No. 5M-5076
				SCALE 1:1
				SHEET 9 OF 13



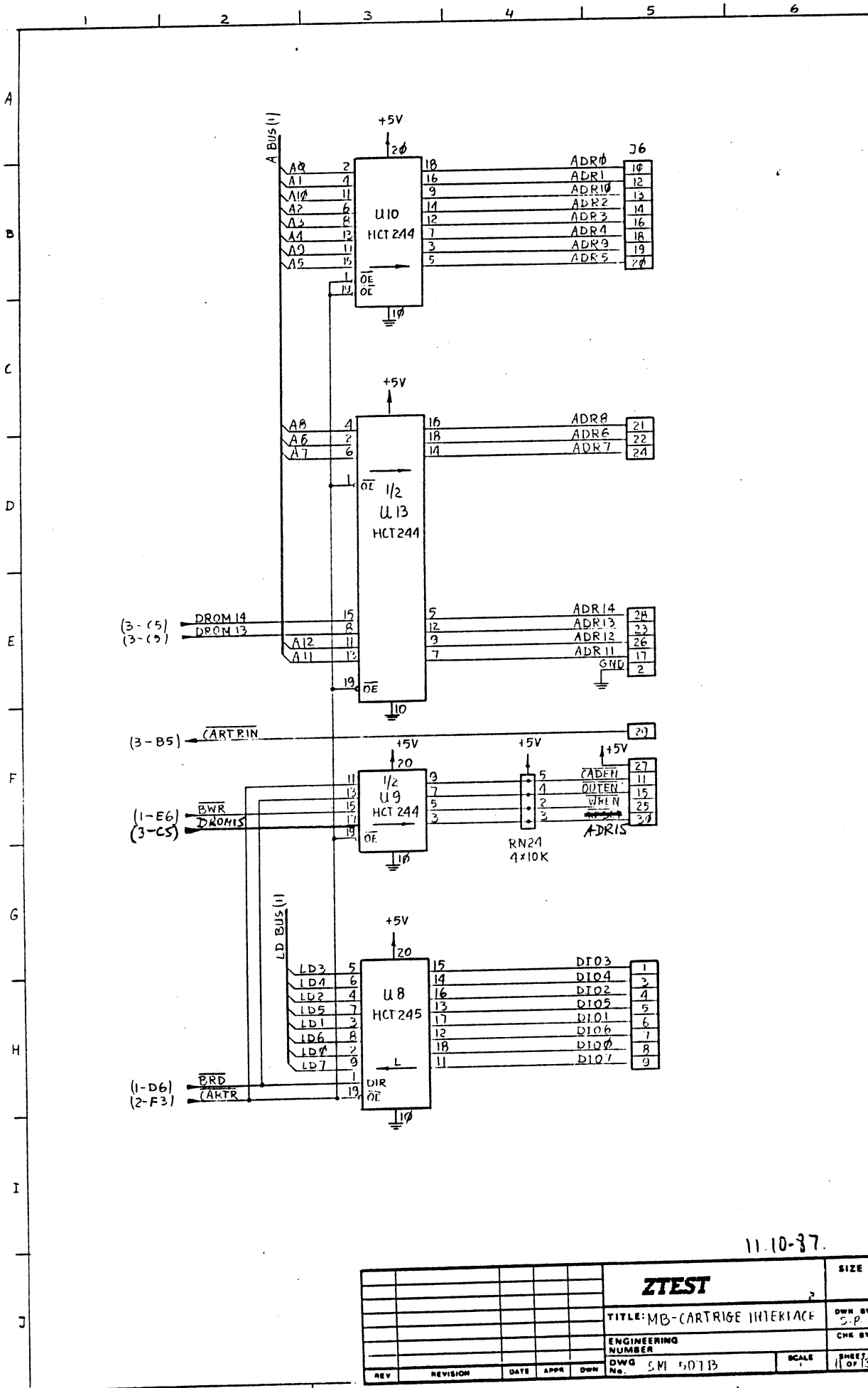
11.10.87

						ZTEST		SIZE
						TITLE: MB-RS 232 INTERFACE		DWN BY S.P.
						ENGINEERING NUMBER		CHK BY
						DWG No. SM-507B		SHEET 9 OF 13
REV	REVISION	DATE	APPR	DWN			SCALE	



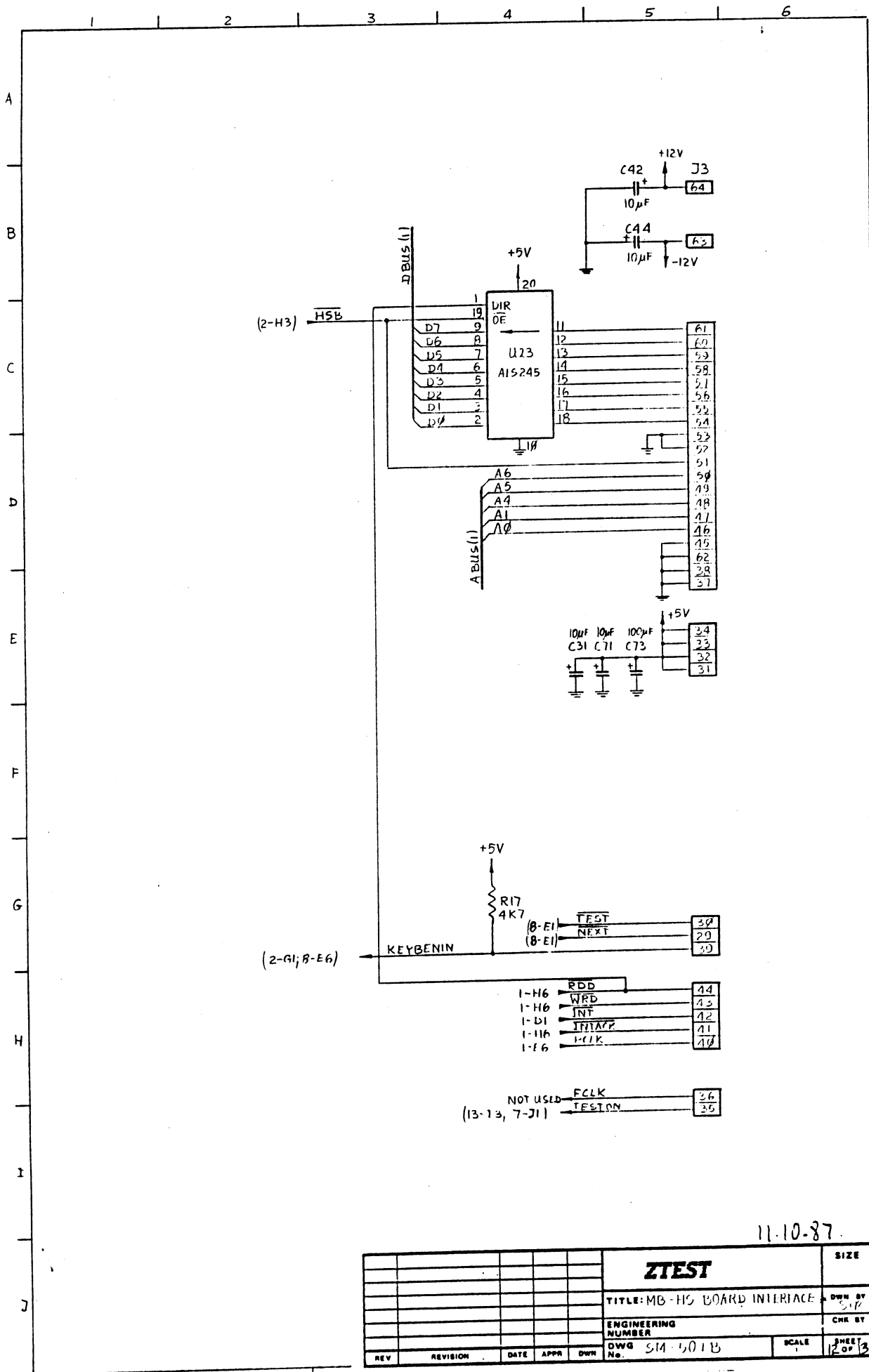
11-10-87

					ZTEST		SIZE
					TITLE: MB- IEEE-488 INTERFACE		DWN BY S.P.
					ENGINEERING NUMBER		CHK BY
					DWG No. 5M-507 B		SCALE
REV	REVISION	DATE	APPR	DWR			SHEET 10 OF 13



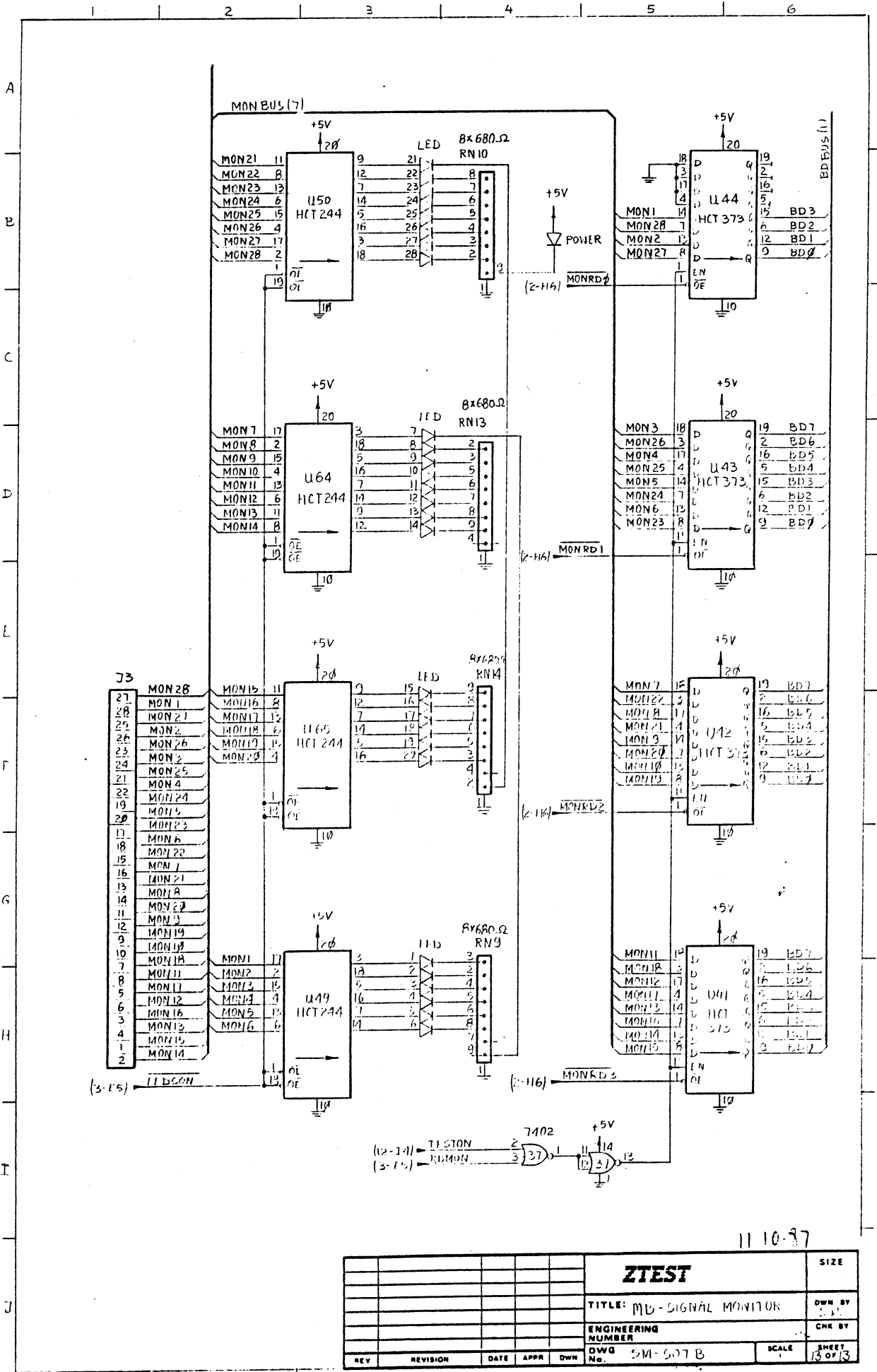
11.10-37.

					ZTEST		SIZE
					TITLE: MB-CARTRIDGE INTERFACE		DWN BY
					ENGINEERING NUMBER		CHK BY
					DWG No. SM 507B		SCALE
REV	REVISION	DATE	APPD	DWN			SHEET 11 OF 13



11-10-87.

REV	REVISION	DATE	APPR	DWR	DWG No.	SCALE	SHEET	SIZE
ZTEST								
TITLE: MB-HS BOARD INTERFACE							DWN BY	
ENGINEERING NUMBER							CHK BY	
DWG No. SM 401B							SCALE	
							SHEET 12 OF 13	

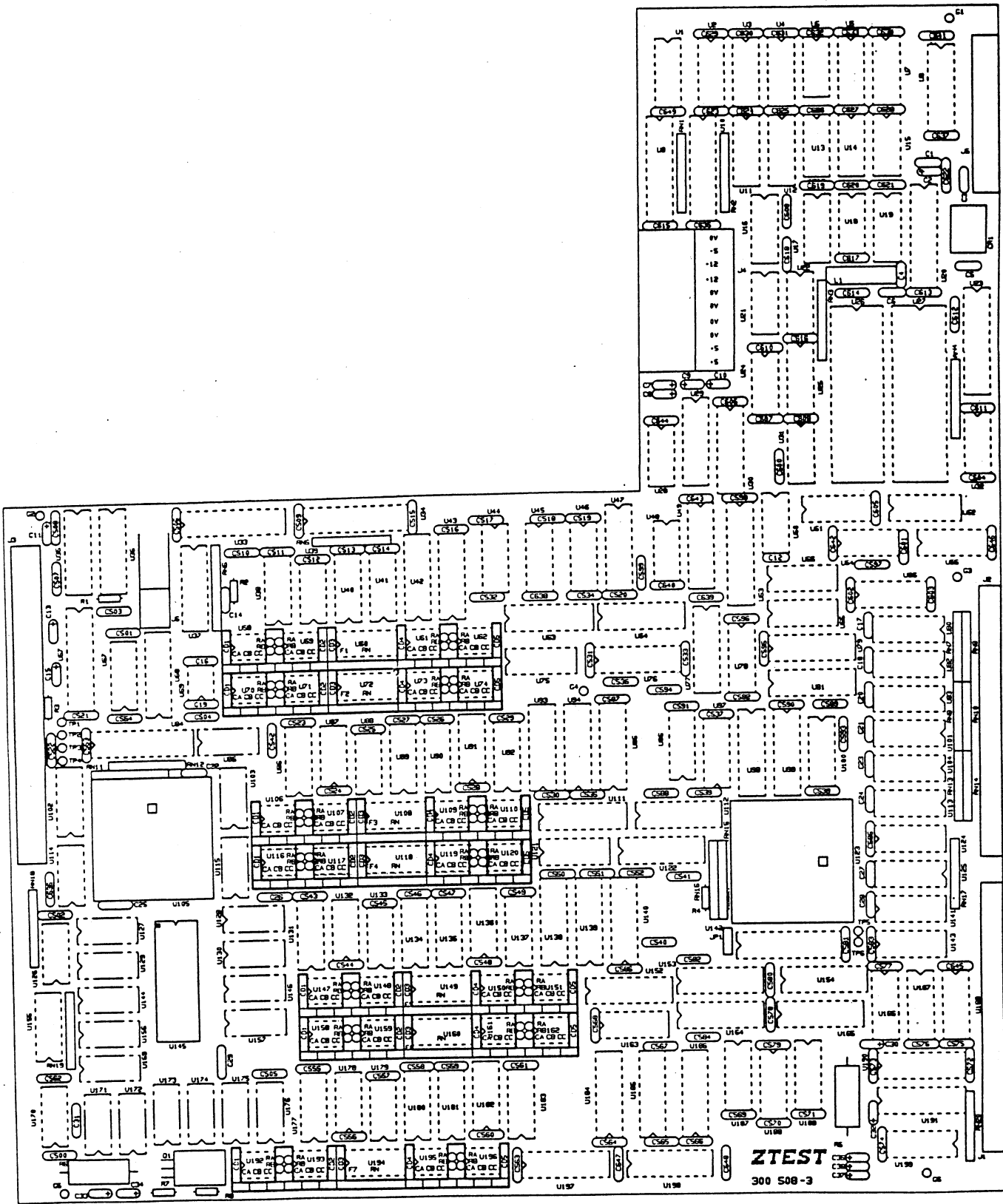


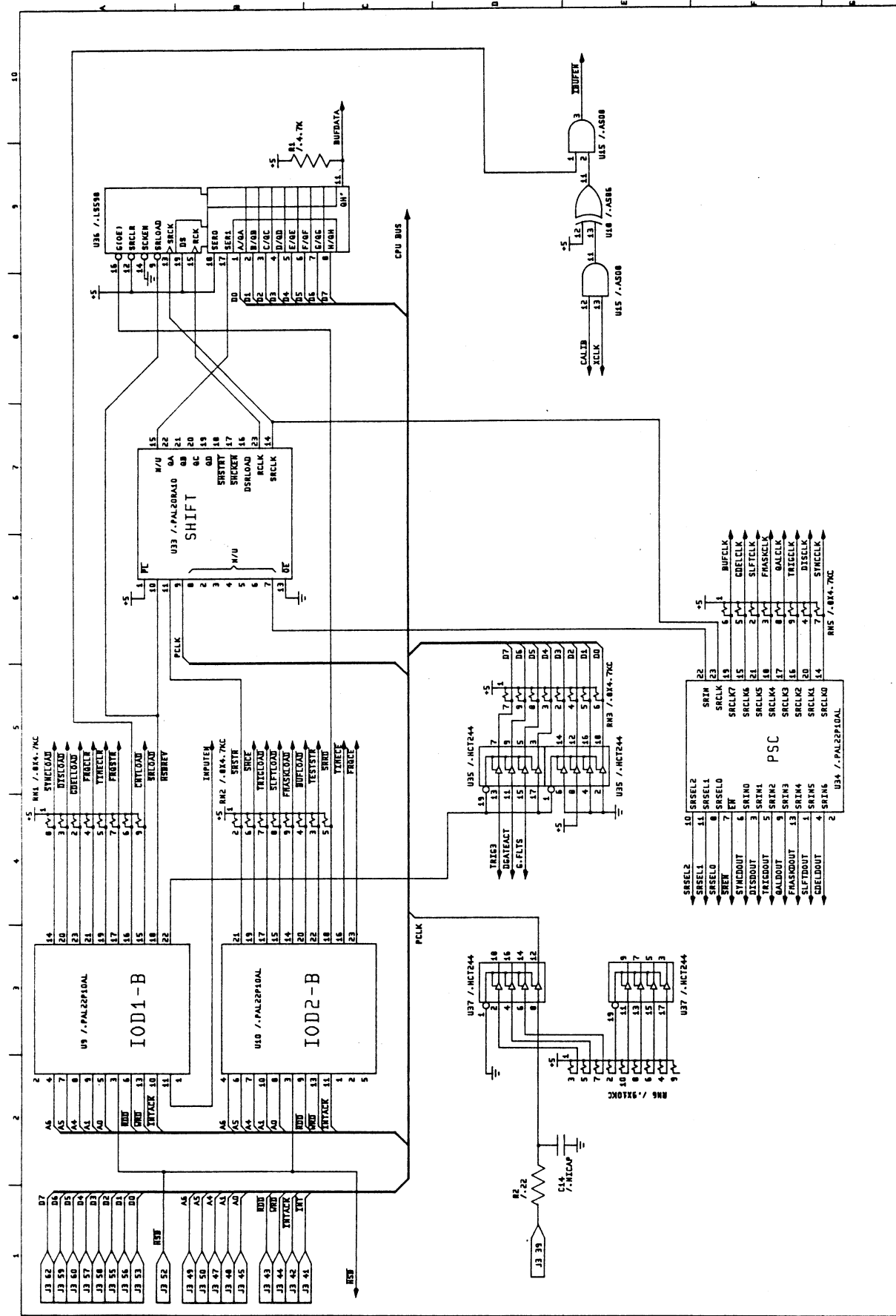
11 10-97

ZTEST						SIZE
TITLE: MB-SIGNAL MONITOR						OWN BY
ENGINEERING NUMBER						CNK BY
DWG No. SM-507B						SCALE
REV						SHEET 15 OF 13
REVISION	DATE	APPR	DWR			

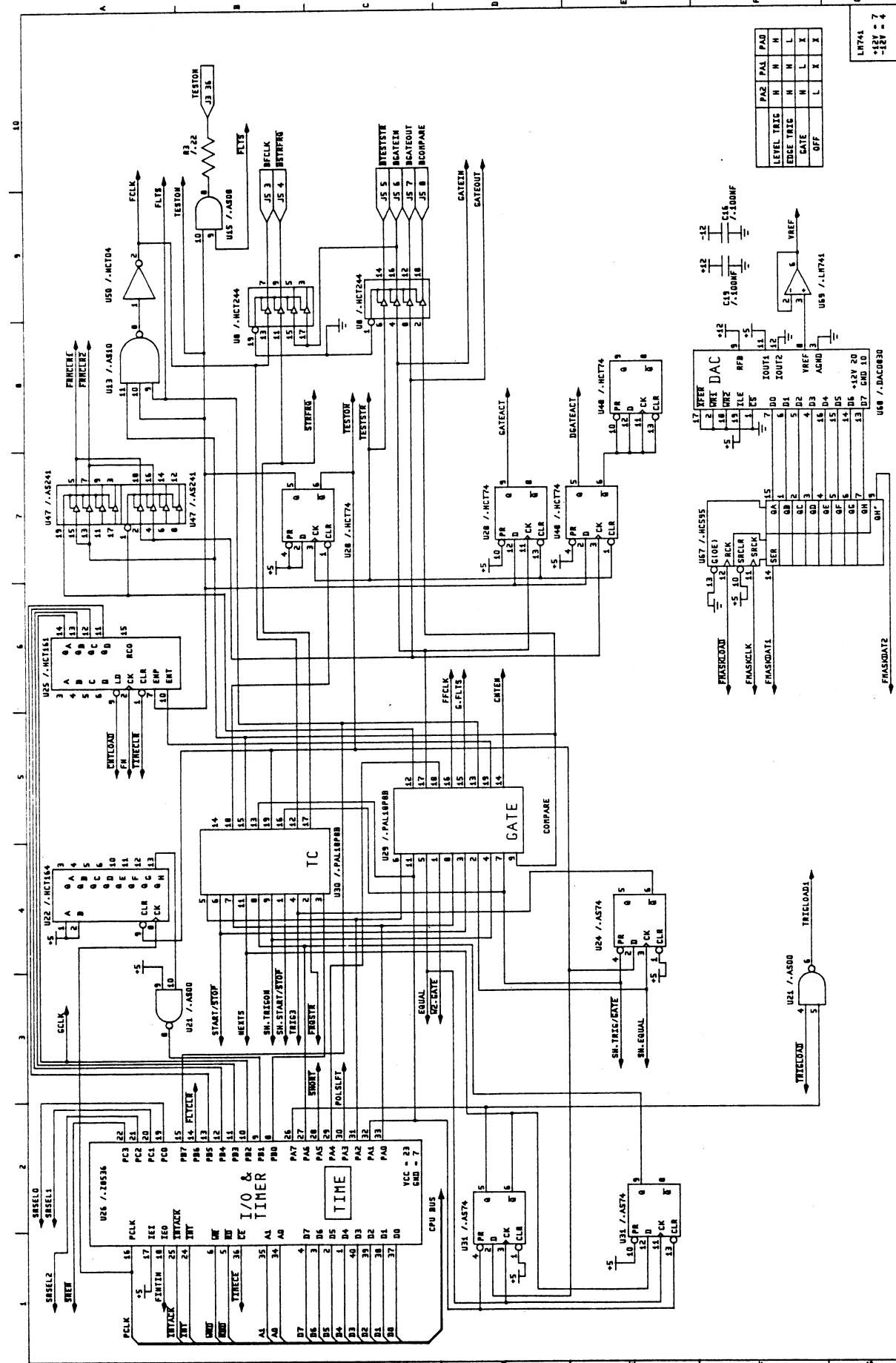
6.3 HIGH SPEED BOARD - HS rev.2/3 (H3)

1 Layout Page
12 Schematic Pages



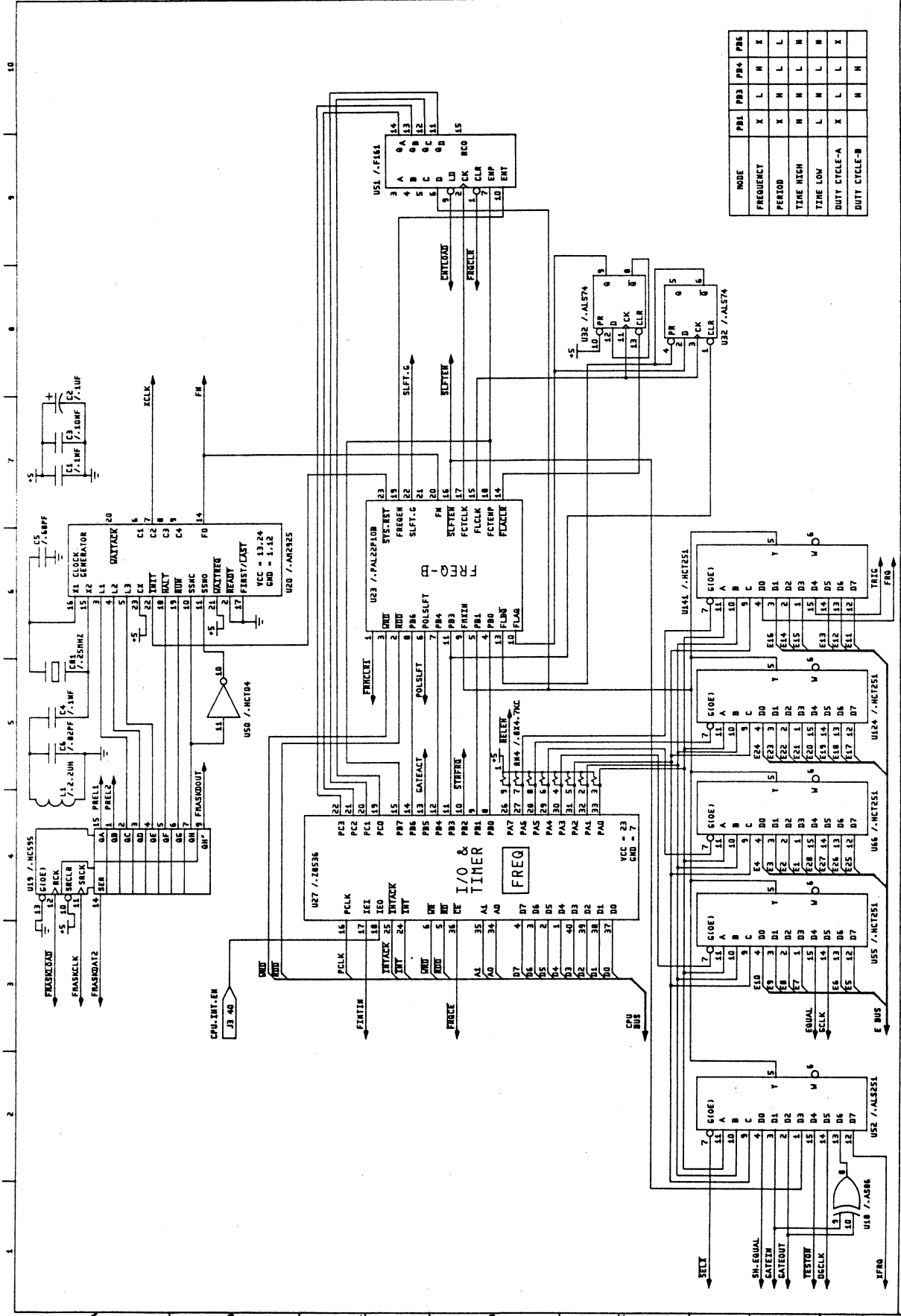


THIS DOCUMENT AND THE DATA IT CONTAINS, ARE PROPRIETARY TO ZTEEST ELECTRONICS INC. AND CANNOT BE USED OR DISCLOSED, IN WHOLE OR IN PART, WITHOUT THE EXPRESS WRITTEN PERMISSION OF ZTEEST ELECTRONICS INC.		TITLE: BOARD:		CPU INTERFACE		PROJ.:		TM3000		D/M/Y: 18/9/89	
HIGH SPEED		HIGH SPEED		FILE: CPU.CSD		REV. 3		SHEET 3		SHEET 1 OF 12	

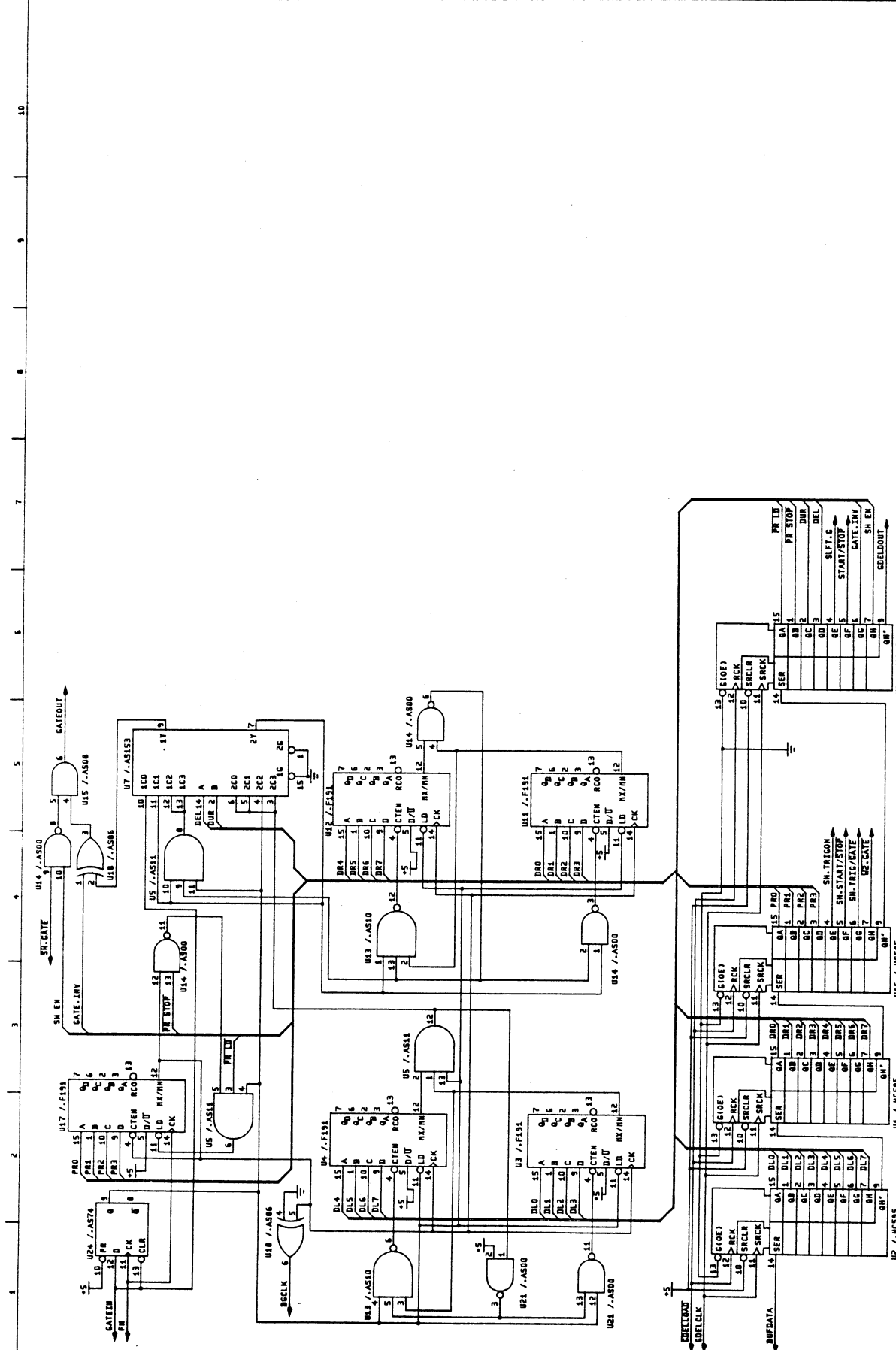


LEVEL TRIS	H	N	N	N	N	N	N	N	N
EDGE TRIS	H	N	N	N	N	N	N	N	N
GATE	L	L	L	L	L	L	L	L	L
OFF									

L1744
-LEV = 7
-LEV = 4



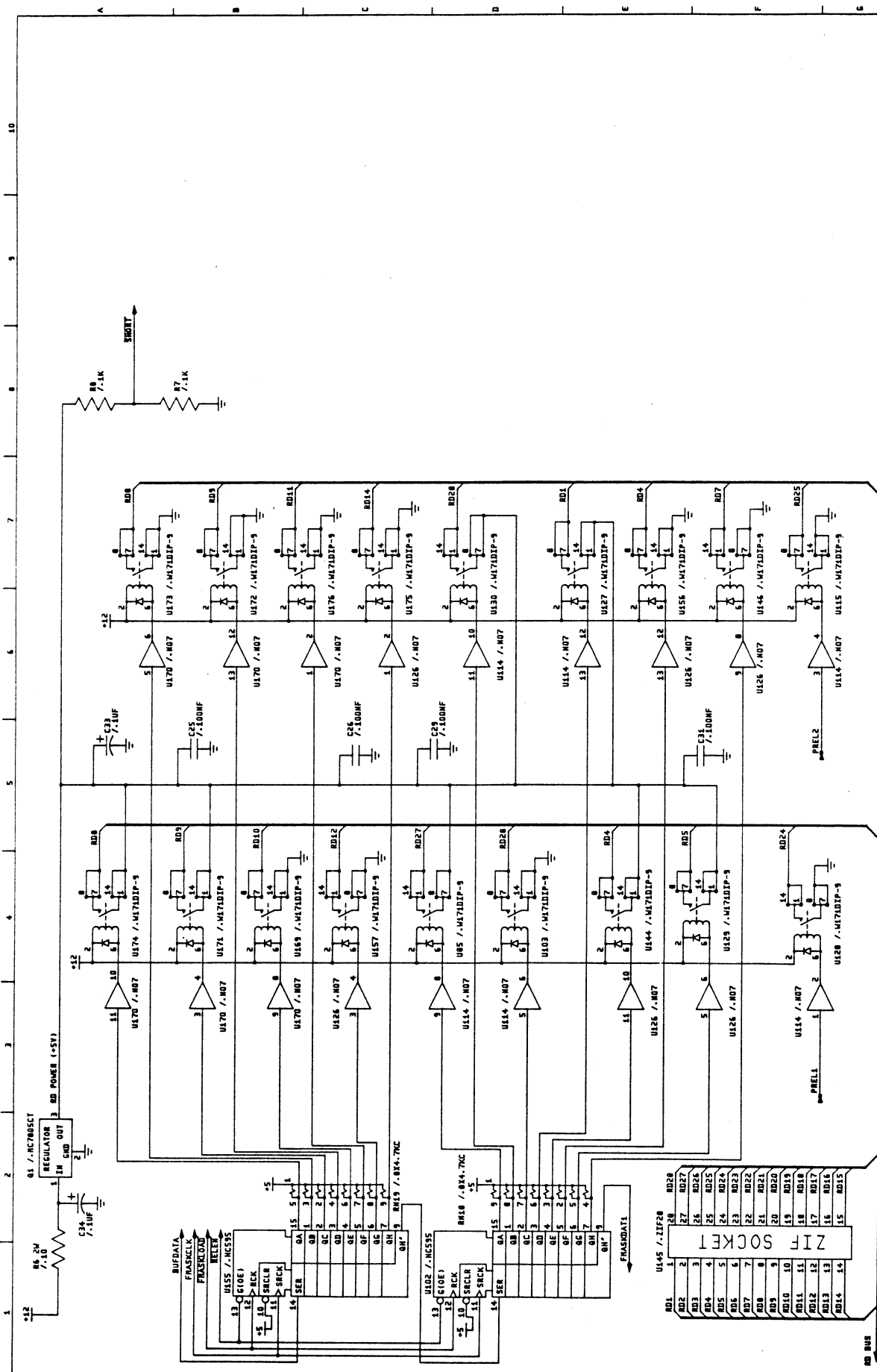
MODE	PB1	PB3	PB4	PB5
FREQUENCY	X	L	M	X
PERIOD	X	M	L	L
TIME HIGH	M	N	L	M
TIME LOW	L	M	L	M
DUTY CYCLE-A	X	L	L	X
DUTY CYCLE-B	M	M	M	M

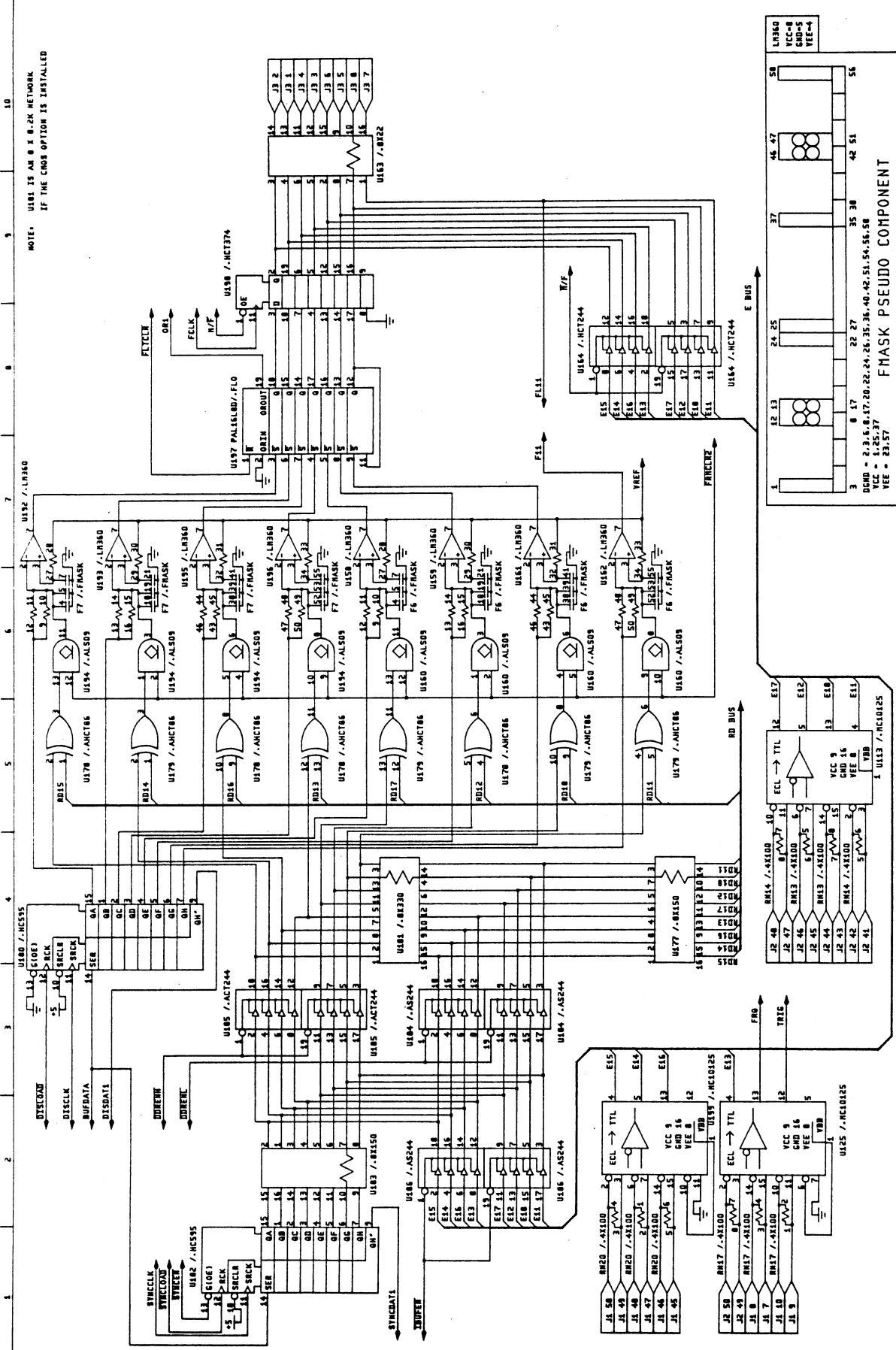


THIS DOCUMENT AND THE DATA IT CONTAINS ARE PROPRIETARY TO ZTEST ELECTRONICS INC. AND CANNOT BE USED OR DISCLOSED, IN WHOLE OR IN PART, WITHOUT THE EXPRESS WRITTEN PERMISSION OF ZTEST ELECTRONICS INC.

BOARD: **TM3000** TITLE: **DELAYED GATE**
 FILE: **DGATE.CSD** PROJECT: **TM3000** D/M/Y: **12/12/89**
 REV. **3** DWG. **SM508** SHEET **5** OF **12**

ZTEST





NOTE: U151 IS AN 8 X 8 2K NETWORK
IF THE CMOS OPTION IS INSTALLED

THIS DOCUMENT AND THE DATA IT CONTAINS, ARE PROPRIETARY TO ZTEST ELECTRONICS INC. AND CANNOT BE USED OR DISCLOSED, IN WHOLE OR IN PART, WITHOUT THE EXPRESS WRITTEN PERMISSION OF ZTEST ELECTRONICS INC.

ZTEST

TITLE: FLOW 1 HIGH SPEED FMASK PSEUDO COMPONENT

BO-ARD: TN3000

REV. 3

FILE: FLOW1-CSD

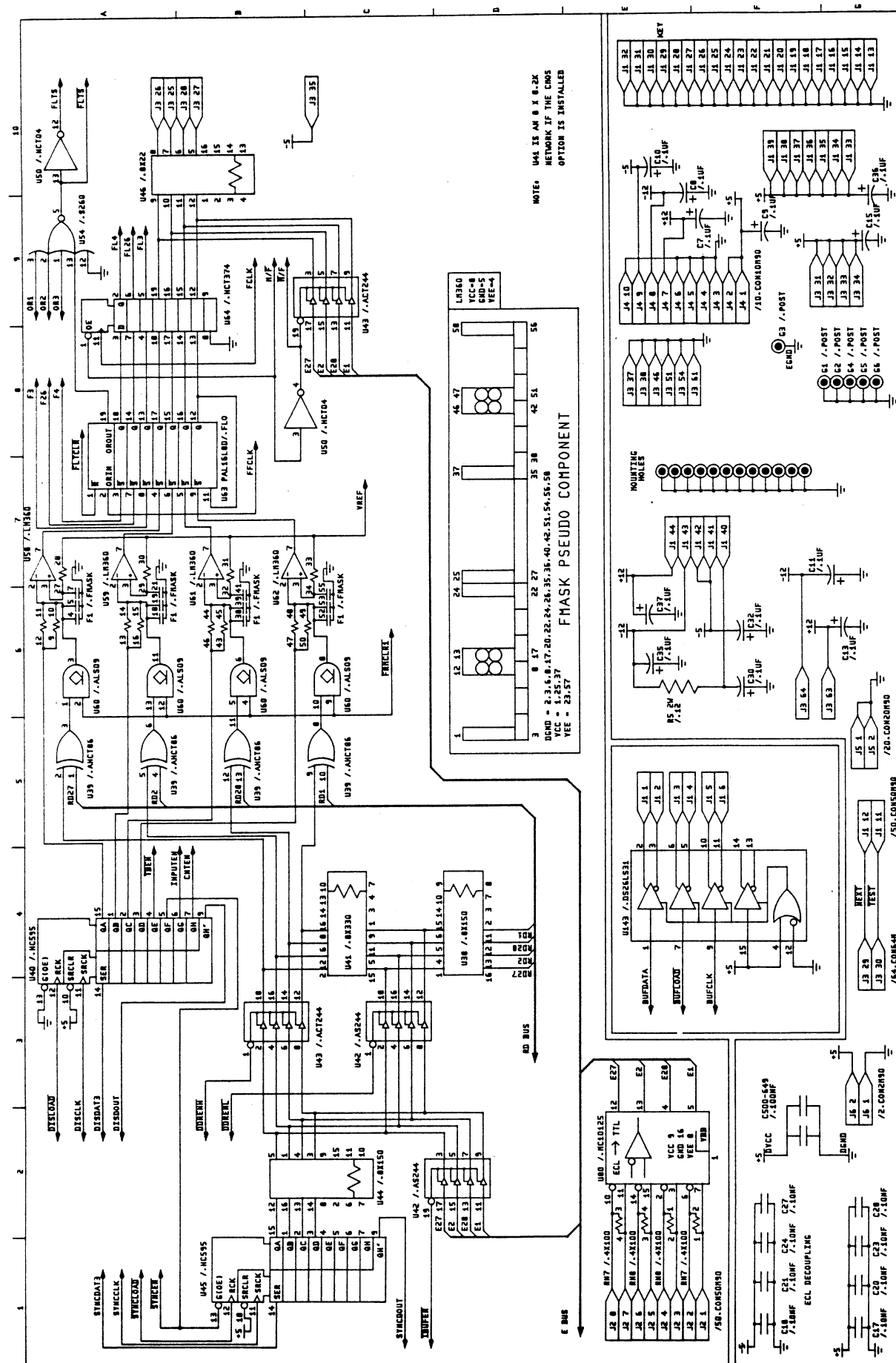
DWG. SMD508

REV. 3

PARENT SHEET

SHEET 8 OF 12

D/W/T: 12/12/89



NOTE: U41 IS AN 8 X 8-2K NETWORK IF THE CMOS OPTION IS INSTALLED

FMASK PSEUDO COMPONENT

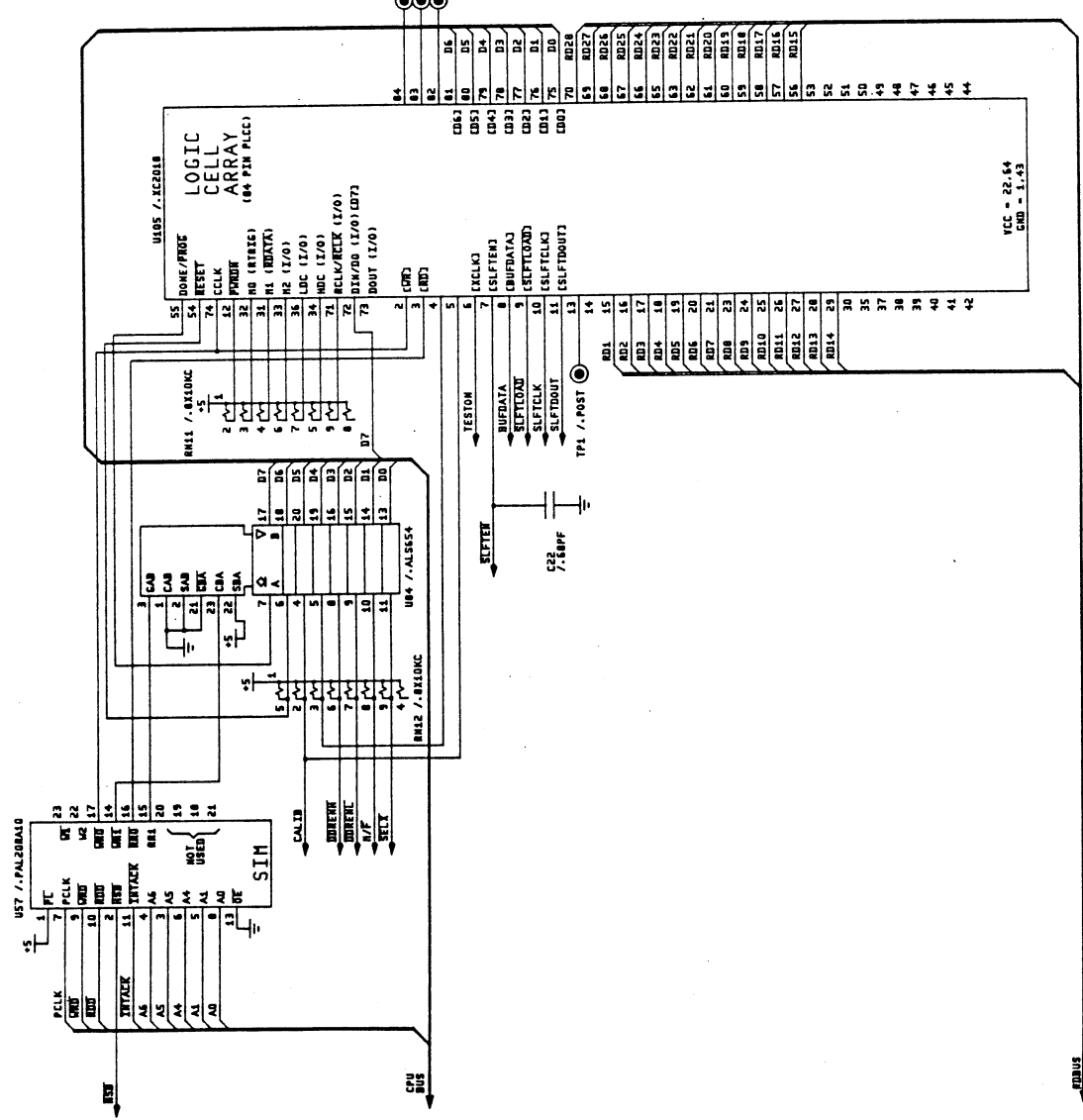
DCMD = 2, 3, 4, 17, 20, 22, 24, 26, 35, 36, 40, 42, 51, 54, 55, 56
 VCC = 5, 25, 37
 VEE = 23, 37

TITLE: ZTESS		PROJ: TM3000	D/W/V/T: 12/12/89
BOARD: HIGH SPEED	FILE: FLOW4-CSD	REV: 3	PARENT SHEET: SHEET 11 OF 12
PMS 1.2 27-88		DWG. SM508	

THIS DOCUMENT AND THE DATA IT CONTAINS, ARE PROPRIETARY TO ZTESS ELECTRONICS INC. AND CANNOT BE USED OR DISCLOSED, IN WHOLE OR IN PART, WITHOUT THE EXPRESS WRITTEN PERMISSION OF ZTESS ELECTRONICS INC.

10 9 8 7 6 5 4 3 2 1

STATE	REC.	B7	B6	B5	B4	B3	B2	B1	B0
MEMO	X	X	X	X	X	X	X	X	X
CONFIG.	MEMO	D/F	MEMO	MEMO	MEMO	MEMO	MEMO	MEMO	MEMO
USER	MEMO	D/F	MEMO	MEMO	MEMO	MEMO	MEMO	MEMO	MEMO



7 Fluke 900 Parts Lists

This section provides parts lists for the 900 and its assemblies. Components are listed alphanumerically by reference designator for each assembly.

The parts lists contain the following information:

- o Reference Designator
- o Description
- o Fluke Part Number
- o Total Quantity of part on assembly
- o Number of informational note (if applicable)

Parts Lists and Assemblies

Table	Assembly Parts List	Page
7.1	Final Assembly	7 - 2
7.2	Interface Buffer	7 - 4
7.3	Micro Board	7 - 6
7.4	High Speed Board	7 - 8
7.5	Power Supply Module	7 - 11
7.6	Simulation Option	7 - 12

7.1 900 Final Assembly

REFERENCE DESIGNATORS-----	DESCRIPTION-----	FLUKE PART NO-----	TOT QTY--	N O T E
A1	IB PWB WITH CABLES	863451	1	1
A2	MICROPROCESSOR PWB	859780	1	2
A3	HIGH SPEED PWB, W/SIMU	865303	1	3
A4	POWER SUPPLY MODULE	858089	1	3
ASM1	TEST CLIP, 16 PIN DIP (0.3")	859053	1	
ASM2	TEST CLIP, 24 PIN DIP (0.3")	859074	1	
ASM3	TEST CLIP, 28 PIN DIP (0.6")	859293	1	
ASM4	TEST LEAD KIT,PVC,5 PROBES/5 LEADS	867226	1	
ASM5	RD TRAY AND CARTRIDGE HOLDER (1)	858993	1	
ASM6	DATA CARTRIDGE, 32K, (1)	857565	1	
ASM7	900 OPERATOR'S MANUAL	859400	1	
B1	TOP COVER/KEYBOARD ASSY.	883624	1	2
B1	FLUKE IB TOP COVER	940903	1	1
B2	FLUKE IB BOTTOM COVER	940908	1	1
B2	FLUKE 900 BOTTOM COVER	940916	1	3
F1-4	NEOPRENE DISCS	941554	4	3
I1-15, IN1,IN2	BARB SERT (INSERT)	941596	17	3
IN3-6	BARB SERT (INSERT)	941596		2
J1,J2	40 PIN CONNECTOR	941591	4	2
J3,J6	CONNECTOR STRIP	941158	2	4
J4,J5	20 PIN CONNECTOR	941133	3	4
J6-9	POLARIZATION PLUG	941161	2	4
K1	KEYBOARD	941146	4	4
K1-5	CLIP SET,PINCER,W/.025 DIA PIN	863472	1	2
M1	AC LINE CORD	867080	1	
M1	HEX SOCKET	941356	1	
M1-4	4X5/16 PHILIPS SCREW	941500	1	2
M1-4	RUBBER FEET	941547	4	5
M2	HEX THRD SPACER	941372	4	1
M2-6, M7-14, M14-17	4X5/16 PHILIPS SCREW	941450	1	2
M4	NON GLARE WINDOW PL	941547	17	2
M5,M6	TAP SCR PH	941547		3
M5-8	NPRN WASHER	941468	1	4
M5-8	HEX SOC SCR BH	941455	2	4
M7,M8	THRD-CTNG SCR P	941430	4	5
M9-12,M20-23	NPRN WASHER	941401	4	1
M9-12	FL LKWSHR INT	941435	2	4
M15	LABEL,ADHES,VINYL,BAR CODE,1.500,.312	941430	8	4
M17-21	RUBBER BUMPERS	941393	4	5
M19	WEATHER STRIPPING	844712	1	3
M20	CAUTION FLUKE LABEL	941427	5	1
M21	REAR PANEL FL. LABEL	921262	1	4
M22-25	MACH SCREW PH STL	858105	1	2
M22-26, M27-35	FL LKWSHR INT	858105	1	3
P1-5	TEST LEAD KIT,PVC,5 PROBES/5 LEADS	941380	4	1
R1	RESISTOR 2.2K 1/4W 5*	941393	14	2
S/N	LABEL,ADHES,VINYL,BAR CODE,1.500,.312	941393		3
STA	CLIP, SELF TEST ASSY	867226	1	
SUB1	DISPLAY MODULE	941914	1	4
SUB2	CABLE ASSY. 20 POS.	844712	1	1
		919225	1	
		859785	1	4
		883637	1	4

REFERENCE DESIGNATORS-----	DESCRIPTION-----	FLUKE PART --NO--	TOT QTY-	N O T -E
SUB3	SPEAKER ASSY.	883629	1	2
SUB3	DISPLAY CONTROLLER	859801	1	4
SUB4	CABLE ASSY. 40 POS.	883640	1	4
U1	CHARACTER ROM, PROGRAMMED	925276	1	4

NOTES:

- 1 = Used for Interface Buffer final assembly
- 2 = Used for Main Top final assembly
- 3 = Used for Main Bottom final assembly
- 4 = Used for Display modules final assembly
- 5 = Used for Speaker final assembly

7.2 A1 Interface Buffer IB

REFERENCE DESIGNATORS-----	DESCRIPTION-----	FLUKE PART --NO--	TOT QTY-	N O T -E
B1	FLUKE IB TOP COVER	940903	1	1
B2	FLUKE IB BOTTOM COVER	940908	1	1
C1,C2,C115-122,C124-127, C130-141,C144	CAP 100nF .2 SPA	940994	27	
	CAP 100nF .2 SPA	940994		
C3-31	CAP 100pF .1 SPA	940973	29	
C32-60	CAP 1.5pF 20% .1 SPA	940932	29	
C61-89	CAP 10nF .1 SPA	940981	29	
C90-114	CAP 10nF .2 SPA	940986	25	
C123,C128	CAP 10uF .2S TANT 25	941013	2	
C129	CAP 1uF .1 SPA	941000	1	
C142	CAP 56 pF .2 SPAC	940957	1	
C143	CAP 1nF .2 SPAC	940978	1	
CM1,CM2	CONNECTOR	941067	2	
CM3,CM4	CABLE EXTRACTOR	941070	2	
CM5	FLAT CABLE TIE	941414	3	
CM6	IB CABLE SET	864616	1	2
D1-58	DIODE	940528	58	
EXT,GND,GND,RST,V	JACKS EXTENDER PIN	941281	5	
EXT,GND,GND,RST,V	JACK	941278	5	
J1, J2	CONNECTOR-50 PIN STG	941062	2	
J1	POLARIZATION PLUG	941146	1	
J3	CONNECTOR	941088	1	
K1, K2	KEY - SWITCH-CAP	941286	2	
M1-4	RUBBER FEET	941372	4	1
M5-8	HEX SOC SCR BH	941401	4	1
M14	CONN. POLARIZING INS	941112	1	
M15	J1 & J2 FL. LABELS	941567	1	
M17-21	RUBBER BUMPERS	941427	5	1
M22-25	MACH SCREW PH STL	941380	4	1
NUT	HEX NUT STL	941398	3	
Q1	PNP TRANSISTOR	940572	1	
Q1-H	FL FBR WASHER	941443	1	
R1	RES,CF,47,+5%,0.25W	441592	1	
R2-4,R37	RESISTOR 10K .25W 1%	941901	4	
R33	RESISTOR 330K .25W 5%	941922	1	
R34,R39,R40,R43,R44,R47	RESISTOR 1K .25W 5%	941864	6	
R35,R42	RESISTOR 10K .25W 5%	941893	2	
R36	RESISTOR 39K .25W 1%	941919	1	
R38,R46	RESISTOR 8.2K .25W 5%	941885	2	
R41	RESISTOR 22K .25W 5%	941914	1	
R45	RESISTOR 10 OHM .25W 5%	941828	1	
R48-51	RESISTOR 10K .25W 0.1%	941898	4	
R52	RESISTOR 5.1K .25W 5%	941880	1	
R53	RESISTOR 15K .25W 5%	941906	1	
R54,R55	RESISTOR 10 OHM 2W	941831	2	
R56	RESISTOR 237 OHM 1/4W 1%	941930	1	
R57	RESISTOR 402 OHM 1/4W 1%	941935	1	
RG1,RG2	REGULATOR -2V	941336	2	
RG3	REGULATOR -5.2V	941344	1	
RL1,RL2	RELAY	941815	2	
RN1-8,RN23-29,RN53	RN 4X10K SIP 8P 1%	942032	16	
RN9-15	RN 4X1K OHM SIP 8 2%	941997	7	
RN16-22	RN 4X39K SIP 8P 1%	942037	7	
RN30-36	RN 4X8K2 SIP 8 PIN	942016	7	
RN37-51	RN 4X56 OHM SIP5 2%	941968	15	

REFERENCE DESIGNATORS-----	DESCRIPTION-----	FLUKE PART --NO--	TOT QTY--	N O T -E
RN52	RN 3X120 OHM SIP 6PN	941976	1	
RN54-60	RN 4X33 KOHM SIP8 2%	941963	7	
S/N	LABEL, ADHES, VINYL, BAR CODE, 1.500, .312	844712	1	1
SHRN	HEAT SHRINK 1/8 INCH	941497	5	
SUB2	IB CABLE SET	864616	1	2
SW1-3	MACH SCREW PH STL	941380	3	
U1-4, U23, U24	IC 74HC595	940809	6	
U5-19	IC 6687DL	940580	15	
U20	IC 26LS32	940549	1	
U21	QUAD 2 INPUT NAND	940598	1	
U22	IC 7407 HEX BUFFER	940619	1	
U25	8 BIT DAC	941211	1	
U26	OP AMP LM747	941323	1	
U27	IC ANALOG MUX	940895	1	
U28	IC V/F CONVERTER	940890	1	
U29	IC VOLT. REF.	940887	1	
U29H	FL FBR WASHER	941443	1	
WASH	FL LKWSHR INT	941393	3	

NOTES:

- 1 = Interface Buffer final assembly parts - not included in 863451 (A1)
- 2 = Part is complete IB cable set, including connectors (CM1-2 and J1-2), extractors (CM3-4), and cable ties (CM5).

7.3 A2 Micro Board M2

REFERENCE DESIGNATORS-----	DESCRIPTION-----	FLUKE PART	TOT QTY-	N O T -E
		--NO--		
1-28, 8P, 14P, 16P, 18P, 20P, 22P, 24P, 28P	RED LED 3-5	941245	36	
C1-4, C7-9, C16, C19-22, C25-27, C32-41, C43, C45-54, C58-70, C72, C74-84, C86, C89-95, C98-100, C106, C110	CAP 100 nF .3 SPAC	940999	74	
C5, C6	CAP 47uF 10V AXIAL	941018	2	
C23, C24, C28, C29	CAP 100nF .2 SPA	940994	4	
C42, C44, C71	CAP 10uF RADIAL .1	941005	3	
C73	CAP 100uF 10V RADIAL	941021	1	
C85	CAP 47 pF .2 SPA	940952	1	
C87	CAP 22pF .2 SPA	940937	1	
C88	220 pF CAP .2 SPAC	941026	1	
C96, C97, C101, C102	CAP 33pF .2 SPA	940940	4	
C111	10 MF 25V AXIAL CAP	941047	1	
CR1	CRYSTAL - 12 MHZ	941195	1	
CR2	CRYSTAL - 6.144 MHZ	941203	1	
CR	CR BRACKET	941484	1	
D1	DIODE - 8.2V ZENER	940536	1	
D2	DIODE	940528	1	
J1, J4	CONNECTOR STRIP	941133	2	
J2	JACK	941273	2	
J3	CONNECTOR 64 PIN F	941138	1	
J3	CONNECTOR-64PIN STAG	941091	1	
J5	CONNECTOR	941096	1	
J6	CONNECTOR - RT ANGLE	941104	1	
M1, M8	MACH SCREW PH STL	941385	2	
M2, M7	MACH SCREW PH STL	941380	2	
M3, M4	FL LKWSHR INT	941393	2	
M5, M6	HEX NUT STL	941398	2	
P1	POT 20K	941765	1	
PON	LED - GREEN	941252	1	
R1	RESISTOR 1 OHM 1/4W 5%	941823	1	
R2-5, R9, R10	RESISTOR 10K 1/4W 1%	941893	6	
R6, R7	RESISTOR 22 OHM 1/4W 5%	941844	2	
R8	RESISTOR 1K 1/4W 5%	941864	1	
R11, R17	RESISTOR 4.7K 1/4W 5%	941877	2	
R13, R14	RESISTOR 470 OHM 1/4W 5%	941856	2	
R15, R16	RESISTOR 1.5K 1/4W 5%	941869	2	
R18	RESISTOR 100 OHM 1/4W 5%	941849	1	
R19, R20	RESISTOR 22 OHM 1/4W 1%	941836	2	
R21	RESISTOR 150K 1/4W 5%	941950	1	
RG1	REGULATOR 5V	941331	1	
RG2	REGULATOR -5V	941349	1	
RN1, RN2, RN6	RN 4X10K SIP 5 PIN	942024	3	
RN3, RN4	RN 8X10K SIP 9 PIN	942029	2	
RN5, RN16	RN 8X4K7 SIP 9 PIN	942011	2	
RN9-11, RN13, RN14	RN 4X680 OHM SIP 9PIN	941992	5	
RN12, RN15	RN 4X1K SIP 5 PIN	942003	2	
SP1	SPACER 1	921267	1	
SP2	SPACER 2	921671	1	
SP3, SP4	SPACER 3	921676	2	
SUB2	CABLE, 64 POS	912063	1	

REFERENCE DESIGNATORS-----	DESCRIPTION-----	FLUKE PART NO--	TOT QTY--	N O T E
T1	PNP TRANSISTOR	940572	1	
T2	TRANSISTOR 2N2369A	921242	1	
T1-H, T2-H	FL FBR WASHER	941443	2	
U1, U2	RS232C DRIVER	941328	2	
U3, U55	IC 74ALS00	940585	2	
U4, U5	RS232C RECEIVER	940523	2	
U6, U8, U23, U24, U47	IC 74HCT245	940762	5	
U7	IC 74HCT257	940775	1	
U9, U10, U13, U46, U49, U50, U64, U65	IC 74HCT244	940754	8	
U11	IC 8531A	940874	1	
U14, U15, U17-20, U36	IC 74AHCT86	940841	7	
U16, U21, U22, U32	IC PAL-ACT	941609	4	
U25	OPTO COUPLER	941257	1	
U26, U27	IC 8536A	940879	2	
U31, U33-35, U41-44	IC 74HCT373	940791	8	
U37	IC 74HCT02	940606	1	
U38	IC 74HCT138	940663	1	
U45	IC 74HCT374	940796	1	
U48, U53, U54, U67, U81	RN 8X22 OHM DIP 16PN	941955	5	
U51	CPU, 6 MHZ	940866	1	
U52, U68	IC 74ACT244	940759	2	
U56, U71	IC 74ALS1005	940648	2	
U57	IC PAL-DEC1B	941617	1	
U58	DECODER PAL-DEC3B	941638	1	
U59	DECODER PAL-DEC2B	941625	1	
U60, U61, U75-77	900 SYSTEM ROM SET, V5.05	890751	1	1
U62, U63	8K X 8 STATIC RAM	941794	2	
U66	IC 74ALS244	940742	1	
U69	WAIT STATE GENERATOR PAL-WSGB	941760	1	
U70	IC 74N14	940671	1	
U72	IC PAL-DEC4	941641	1	
U73	IC PAL-DEC5	941646	1	
U78	IC CLOCK GENERATOR	940882	1	
U79, U80	IC 74ALS157	940689	2	
U85, U89	DYNAMIC RAM 64K X 4	941786	2	
U90	IC 74HCT14	940676	1	
XU51	SOCKET - 40 PIN	942073	1	
XU60, XU61, XU74-77	SOCKET - 28 PIN	942065	6	
XU62	SMART WATCH	941351	1	

NOTES:

1 = V5.05 ROM set - 4 System ROMs and Library ROM. V6.00 ROM set is 921072.

7.4 A3 High Speed H3

REFERENCE DESIGNATORS-----	DESCRIPTION-----	FLUKE PART NO--	TOT QTY-	N O T -E
B1-4	RUBBER FEET	941604	4	
C1, C4	CAP 1nF .2 SPAC	940978	2	
C2, C7-11, C13, C15, C30, C32-37	CAP 1uF .1 SPA	941000	15	
C3, C17, C18, C20, C21, C23, C24, C27, C28	CAP 10nF .2 SPA	940986	9	
C5, C22	CAP 68pF .2 SPA	940960	2	
C6	CAP 82pF .2 SPA	940965	1	
C12	CAP 22pF .2 SPA	940937	1	
C16, C19, C25, C26, C29, C31, C500-582, C584-649	CAP 100 nF .3 SPAC	940999	155	
C1B1-4, C2B1-4, C321-4, C4B1-4, C5B1-4, C6B1-4, C7B1-4	CAP 47pF 2% .1 SPAC	940945	28	
C1C1-4, C2C1-4, C3C1-4, C4C1-4, C5C1-4, C6C1-4, C7C1-4	CAP 10nF .1 SPA	940981	28	
C1D1-5, C2D1-5, C3D1-5, C4D1-5, C5D1-5, C6D1-5, C7D1-5	CAP 100 nF .3 SPAC	940999	35	
CR1	CRYSTAL - 25 MHZ	941190	1	
J1, J2	CONNECTOR	941059	2	
J3	CONNECTOR	941075	1	
J4	CONNECTOR	941083	1	
L1	INDUCTOR 2.2uH	941260	1	
M1, M2	RUBBER FEET	941372	2	
M3	HEX NUT STL	941398	1	
Q1	REGULATOR 5V	941331	1	
R1	RESISTOR 4.7K .25W 5%	941877	1	
R2, R3	RESISTOR 22 OHM .25W 5%	941836	2	
R5	12 OHM RESIS. 5W	941943	1	
R6	RESISTOR 10 OHM 2W 5%	941831	1	
R7, R8	RESISTOR 1K .25W 5%	941864	2	
R1B1-4, R2B1-4, R3B1-4, R4B1-4, R5B1-4, R6B1-4, R7B1-4	RESISTOR 4.7K 1% 0.25W	941872	28	
1RN, 2RN, 3RN, 4RN, 5RN, 6RN, 7RN	8 PIN 4X4.7K SIP	942040	7	
RN1-5, RN18, RN19	RN 8X4K7 SIP 9 PIN	942011	7	
RN6	9x10K 10 PIN	942060	1	
RN7-10, RN13, RN14, RN17, RN20	RN 4X100 OHM SIP 8PN	941971	8	
RN11, RN12, RN15, RN16	RN 8X10K SIP 9 PIN	942029	4	
SPC1-4	FBR SPACER	941448	4	
U1, U2, U6, U16, U19, U40, U45, U56, U67, U78, U89, U91, U96, U100, U102, U134,	IC 74HC595	940809	24	

REFERENCE DESIGNATORS-----	DESCRIPTION-----	FLUKE PART NO--	TOT QTY--	N O T E
U136, U155, U166,		940809		
U168, U180, U182,		940809		
U188, U189		940809		
U3, U4, U11, U12, U17	IC 74F191	940726	5	
U5	IC 74AS11	940650	1	
U7	IC 74AS153	940684	1	
U9	PAL-IOD1-B	941708	1	
U10	PAL-IOD2-B	941716	1	
U13	IC 74AS10	940643	1	
U14, U21	IC 74AS00	940593	2	
U15	IC 74AS08	940627	1	
U18	IC 74AS86	940846	1	
U20	IC 2925	940569	1	
U22	IC 74HCT164	940713	1	
U23	PAL-FREQ-B	941687	1	
U24, U31	IC 74AS74	940833	2	
U25	IC 74HCT161	940697	1	
U26, U27	IC 8536A	940879	2	
U28, U48	IC 74HCT74	940838	2	
U29	IC PAL-GATE	941690	1	
U30	IC PAL-TC	941752	1	
U32	IC 74ALS74	940825	1	
U33	IC PAL-SHIFT	941740	1	
U34	IC PAL-PSC	941724	1	
U35, U37, U76, U122, U164	IC 74HCT244	940754	5	
U36	IC 74LS598	940812	1	
U38, U44, U86, U92, U131, U137, U177, U183	RN 8X150 OHM DIP 16P	941984	8	
U39, U87, U88, U132, U133, U178, U179	IC 74AHCT86	940841	7	
U41, U90, U135, U181	RN 8X330 OHM DIP 16P	941989	4	
U42, U93, U95, U138, U140, U184, U186	IC 74AS244	940747	7	
U43, U94, U139, U185	IC 74ACT244	940759	4	
U46, U75, U121, U163	RN 8X22 OHM DIP 16PN	941955	4	
U47	IC 74AS241	940739	1	
U49	IC PAL-SHAD1	941732	1	1
U50	IC 74HCT04	940614	1	
U51	IC 74F161	940700	1	
U52	IC 74LS251	940767	1	
U53	IC PAL-SHAD2	941737	1	1
U54	IC 74S260	940783	1	
U55, U66, U124, U141	IC 74HCT251	940770	4	
U57	IC PAL-SIM	941745	1	
U58, U59, U61, U62, U70, U71, U73, U74, U106, U107, U109, U110, U116, U117, U119, U120, U147, U148, U150, U151, U158, U159, U161, U162, U192, U193, U195, U196	IC LM360	941310	28	
U60, U72, U108, U118, U149, U160, U194	74ALS09 GROUP B OR C	NOTE 2	7	2
U63, U111, U152, U197	IC PAL-FLO	NOTE 2	4	
U64, U112, U153, U198	IC 74HCT374	940796	4	

A3 High Speed (cont.)

REFERENCE DESIGNATORS-----	DESCRIPTION-----	FLUKE PART	TOT QTY-	N O T E
U65, U97, U167, U187	RN 8X1 KOHM DIP 16P	942008	4	
U68	8 BIT DAC	941211	1	
U69	OP AMP	941315	1	
U77	IC 74HCT245	940762	1	1
U79, U99, U165, U190	IC 74F521	940804	4	
U80, U82, U83, U101, U104,	TRANSISTOR 2N2369A	921242	8	
U113, U125, U199		921242		
U81, U98, U154, U191	IC 74ALS639	940817	4	
U84	IC 74ALS654	940820	1	
U85, U103, U115, U127-130,	DIP RELAY	941810	18	
U144, U146, U156, U157,		941810		
U169, U171-176		941810		
U105,	GATE ARRAY	942131	2	
U123		942131		1
U114, U126, U170	IC 7407 HEX BUFFER	940619	3	
U142	64Kx1 SRAM	941802	1	1
U143	IC 26LS31	940544	1	
U145	28 PIN BLK ZIF SOCKT	942149	1	
XU49, XU77	20 PIN SOCKET	942094	2	
XU53, XU142	24 PIN N. SOCKET	942099	2	
XU105, XU123	84 PIN PLCC SOCKET	942078	2	
XU145	ZIF ADAPTOR	942144	1	
CALIBRATION COMPONENTS	CAP 1.0pF	921197		3
	CAP 1.5pF	921200		3
	CAP 1.8pF	921205		3
	CAP 2.2pF	921213		3
	CAP 3.3pF	921218		3
	CAP 4.0pF	921221		3
	CAP 6.8pF	921226		3
	RES 47K	921192		3
	RES 57K	921189		3
	RES 86K	921184		3
	RES 113K	921176		3
	RES 150K	921171		3
	RES 365K	921168		3

NOTES:

1 = Optional: part of -001 Simulation option

2 = Selected parts: all seven 74ALS09 must be the same color code (speed).
Use 921234 for orange dot (group B), 921239 for green dot (group C).

3 = Calibration resistors and capacitors are used in the procedure outlined in Section 5.4.2.5

7.5 A4 Power Supply Module PA

REFERENCE DESIGNATORS-----	DESCRIPTION-----	FLUKE PART --NO--	TOT QTY--	N O T -E
B1-6	RUBBER BUMPERS	941427	6	
CON1, CON2	CONNECTOR	941125	2	1
J5	CONNECTOR	941120	1	2
M1	POWER SUPPLY CAGE	941229	1	
M2	BUSS FUSE 3 AMP	941422	1	
M3	NON-INSULAT TERMINAL	941369	1	
MOD1	POWER SUPPLY	941778	1	
MOD2	FAN 24VDC 23CFM	941232	1	
MOD3	POWER CONNECTOR	941117	1	
P1-17, P87, P19, P20,	PINS	941364	23	1
P1-3		941364		2
S1-15	MACH SCREW PH STL	941380	15	
S16-19	STL MACH SCR SL	941463	4	
SUB1	POWER SWITCH ASSEMBLY	921247	1	
SUB2	AC CONNECTOR	921254	1	
SUB3	DC CONNECTOR	921259	1	
S1	POWER SWITCH	942110	1	3
S2	GREY CAP FOR SWT	941505	1	3
W1,	WIRE	921684	2	1
w1		921684		2
w1-17	FL LKWSHR INT	941393	17	

NOTES:

1 = Part of DC connector, P/N 921259

2 = Part of AC connector, P/N 921254

3 = Part of power switch assembly, P/N 921247

7.6 900-001 Simulation Option

REFERENCE DESIGNATORS-----	DESCRIPTION-----	FLUKE PART	TOT QTY-	N O T E
U49	IC PAL-SHAD1	941732	1	
U53	IC PAL-SHAD2	941737	1	
U77	IC 74HCT245	940762	1	
U123	GATE ARRAY	942131	1	
U142	64Kx1 SRAM	941802	1	